



30w LED Halo Street Lantern

Product Features

- 30w
- Fits 60mm or 76mm spigot size (adaptor included)
- Aluminium die cast housing
- High transmittance, impact resistant polycarbonate lens
- 100° Beam Angle
- Ø520 x 317mm
- IP65 Housing
- IK08 Impact Rating
- Weight: 6kg



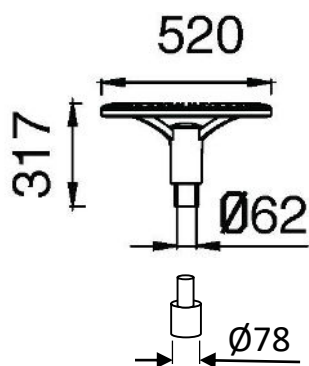
Specification Overview

Model	Power	Power Requirement	Colour Temp	Lumens	Beam Angle	Trim Colour	Dimensions	Spigot Size
PPL-52030-2-VR	30w	100~240VAC	5000K	2460lm	120°	Black	Ø520x317mm	60mm or 76mm

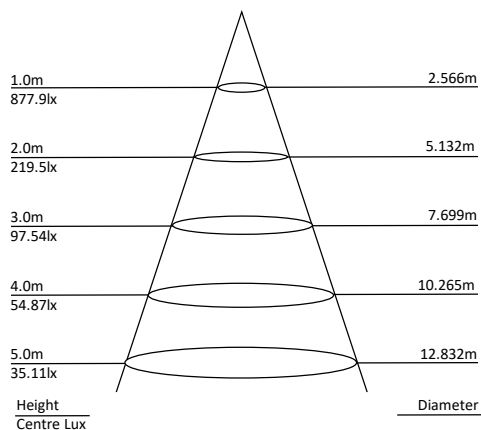
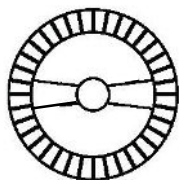
Product Specification



60w LED Halo Street Lantern



Fits $\varnothing 60\text{mm}$ or $\varnothing 76\text{mm}$ pole top



Specification

Model	PPL-52030-2-VR
Colour Temperature (1CCT)	5000K
Lumen (lm)	2460lm
Efficiency (lm/w)	>82lm/w
Light Source	LED
CRI (%)	≥80
Beam Angle	100°
Power Requirement	100~240VAC
Power Consumption	30w
Dimmable	No
Housing	Diecast aluminium with PC Lens
Lifespan	>40,000 hours
Operation Temperature	-20°C~+45°C
Product Dimension	$\varnothing 520 \times 317\text{mm}$
Fits Spigot Size	$\varnothing 60$ or $\varnothing 76\text{mm}$ pole top
Impact Rating	IK08
Weight	6kg
Protection Rating	IP65
Warranty	5 Years

Specifications are subject to change without notice