



Product Features

- For use in public bathrooms or other areas to reduce vein visibility and discourage drug use
- 30w
- Blue LED
- White housing
- 120° Beam Angle
- Aluminium die cast housing
- Polycarbonate face
- Ø350 x 100mm
- IP65 Housing
- IK10 Impact Rating
- Weight: 2.7kg

Specification Overview



Vandal Resistance
IK10

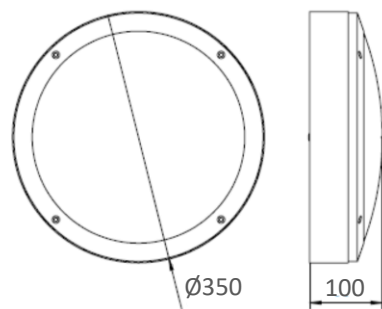


Model	Power	Input	Colour Temp	Lumens	Beam Angle	Trim Colour	Dimensions
WL-BH30-BLU-W	30w	220~240VAC	Blue (450nm)	2000lm	120°	White	Ø350x100mm

Anti Drug Light 30w Round Bunker

Model	Trim Colour	Power	Lumens	CCT	Dimension	Weight
WL-BH30-BLU-W	White	30w	2000lm	Blue LED (450nm)	Ø350 x 100mm	2.76kg

Specification				Dimensions	
Wavelength	450nm (Blue)	Housing	Diecast aluminium		
Efficacy	>66lm/w	Diffuser	Polycarbonate		
Beam Angle	120°	Housing Colour	White		
Power Input	220~240VAC	Lifespan	>40,000 hours		
Dimmable	No	Operation Temperature	-25 °C to +45°C		
Impact Rating	IK10				
Protection Rating	IP65	Warranty	5 Years		



Options



Eyelid Cover
Model: WL-BH30-ELC-W