

Product Specification



Wireless Kinetic Switch Receiver Options



Product Features

- Dimming and Non-Dimming options
- Works with the S-Tech Range of Wireless Switches and Key Fobs
- Wi-Fi Control (powered by Tuya)
- Works with a 2.4GHz enabled Wi-Fi Router
- Compatible with Google Home and Alexa
- NO power or batteries required
- Pair Multiple Switches with the one receiver for multi-way switching and dimming
- Pair one switch with up-to 5 receivers for combined switching or dimming of circuits
- Range: ≤30m Indoor, ≤80m Outdoor



Standard – 1 or 2 Channel

- Turns circuits ON/OFF, Multiple uses, not only for lighting

Dimmable – 1 Channel

- Suitable for dimming, Dims most triac dimmable lights

Contact Relay – 1 Channel

- Provides latched volt free closed contact for 2 seconds
- Ideal for garage doors, gates, door access, commercial doorbells or remote switching of devices

Specification Overview



| Model | Type | Dimensions | Comments |
|------------|-----------------------------------|----------------|--|
| KIN-R1-STD | Standard Receiver – 1 Channel | 82 x 52 x 24mm | Max Load: 1000w, Not suitable for dimming. |
| KIN-R2-STD | Standard Receiver – 2 Channel | 82 x 52 x 24mm | Max Load: 1000w/channel, Not suitable for dimming. |
| KIN-R1-DIM | Dimmable Receiver – 1 Channel | 82 x 52 x 24mm | Max Load: 150w, Suitable for dimming |
| KIN-R1-CR | Contact Relay (2 sec) – 1 Channel | 82 x 52 x 24mm | Max Load: 5A |

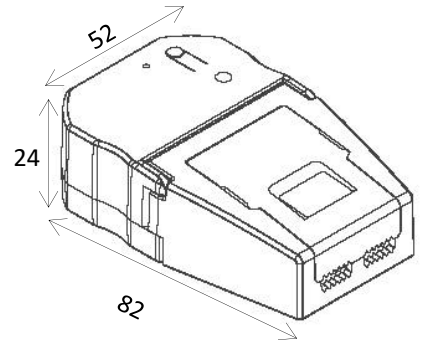
Wireless Kinetic Switch

Receiver – Standard 1 or 2 Channel

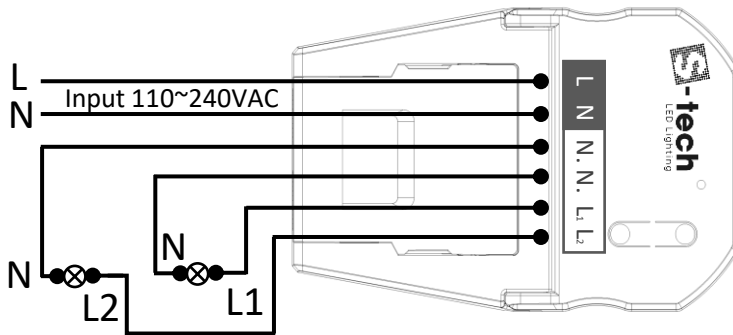


| Model | Type | Dimension (L x W x H) | Weight |
|------------|-------------------------------|-----------------------|--------|
| KIN-R1-STD | Standard Receiver – 1 Channel | 82 x 52 x 24mm | 63g |
| KIN-R2-STD | Standard Receiver – 2 Channel | | |

| Specification | | Dimensions | |
|--------------------------|------------------------------|-----------------------|-------------------------------|
| Power Input | 110~240VAC | Housing | Polycarbonate and ABS |
| Dimmable | No | Housing Colour | White |
| Maximum Load per channel | 300w LED 1000w Resistive* | Operation Temperature | -20 °C to +50°C |
| Standby Power | <0.8w | | |
| Communication Frequency | RF 433MHz | Control Distance | 20m (indoor) 80m (outdoor) |
| Wi-Fi | 2.4GHz | | |
| Protection Rating | IP20 | Warranty | 3 Years |



* Resistive Load – An electrical device or circuit element that converts electrical energy into heat or light without storing or creating a magnetic field, and it has a resistance that is constant and independent of frequency. Common examples of resistive loads are incandescent light bulbs, electric stoves, and electric heaters.



Switch Options



Aussie Mech Wall Switch
- Fits in standard wall plates
Model: KIN-SW-AU



Wide Wall Switch – 1 Gang
- Suitable for dimming with dimming compatible receivers
Model: KIN-SW-W-W



Narrow Wall Switch – 1 Gang
- Join more together to make a multi-gang wall switch
Model: KIN-SW-N-W



Key Fob Switch
Model: KIN-SW-K1-B

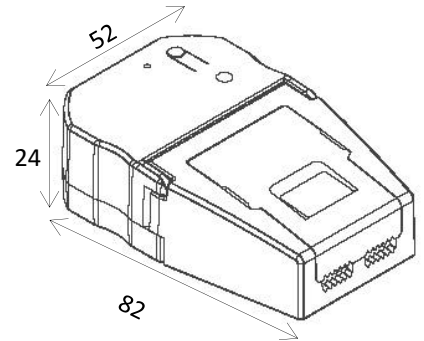
Specifications are subject to change without notice

Wireless Kinetic Switch Receiver – Dimmable 1 Channel

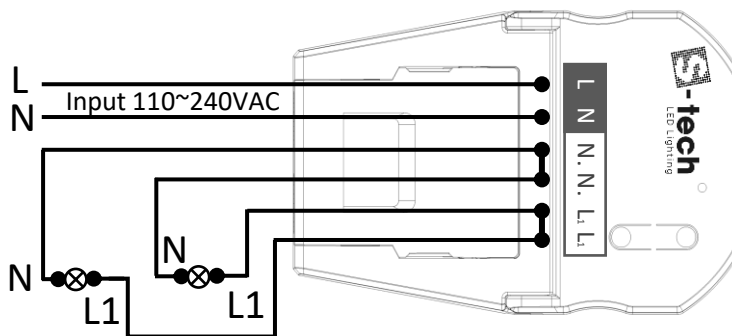


| Model | Type | Dimension (L x W x H) | Weight |
|------------|-------------------------------|-----------------------|--------|
| KIN-R1-DIM | Dimmable Receiver – 1 Channel | 82 x 52 x 24mm | 63g |

| Specification | | Dimensions | |
|--------------------------|--|-----------------------|-------------------------------|
| Power Input | 110~240VAC | Housing | Polycarbonate and ABS |
| Dimmable | Yes, with dimming compatible Wireless Switches and Wi-Fi | Housing Colour | White |
| Maximum Load per channel | 80w LED 150w Resistive* | Operation Temperature | -20 °C to +50°C |
| Standby Power | <0.8w | | |
| Communication Frequency | RF 433MHz | Control Distance | 20m (indoor) 80m (outdoor) |
| Wi-Fi | 2.4GHz | | |
| Protection Rating | IP20 | Warranty | 3 Years |



* Resistive Load – An electrical device or circuit element that converts electrical energy into heat or light without storing or creating a magnetic field, and it has a resistance that is constant and independent of frequency. Common examples of resistive loads are incandescent light bulbs, electric stoves, and electric heaters.



Switch Options



Aussie Mech Wall Switch
- Fits in standard wall plates
Model: KIN-SW-AU



Wide Wall Switch – 1 Gang
- Suitable for dimming with dimming compatible receivers
Model: KIN-SW-W-W



Narrow Wall Switch – 1 Gang
- Join more together to make a multi-gang wall switch
Model: KIN-SW-N-W



Key Fob Switch
Model: KIN-SW-K1-B

Specifications are subject to change without notice

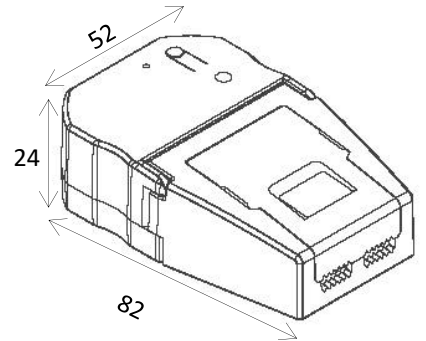
Wireless Kinetic Switch

Receiver – Contact Relay 1 Channel

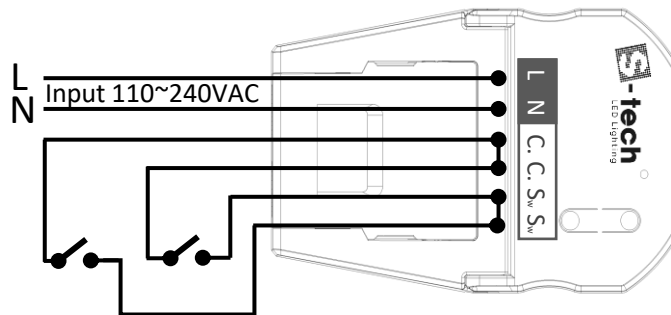


| Model | Type | Dimension (L x W x H) | Weight |
|-----------|---------------------------|-----------------------|--------|
| KIN-R1-CR | Contact Relay – 1 Channel | 82 x 52 x 24mm | 63g |

| Specification | | Dimensions | |
|--------------------------|-------------------------------------|-----------------------|-------------------------------|
| Power Input | 110~240VAC | Housing | Polycarbonate and ABS |
| Dimmable | No | Housing Colour | White |
| Maximum Load per channel | VOLT FREE CONTACT, Max. current 4A* | Operation Temperature | -20 °C to +50°C |
| Standby Power | <0.8w | | |
| Communication Frequency | RF 433MHz | Control Distance | 20m (indoor) 80m (outdoor) |
| Wi-Fi | 2.4GHz | | |
| Protection Rating | IP20 | Warranty | 3 Years |



* This receiver output is a **VOLT FREE CONTACT** and must not be used to switch 100~240VAC loads. To use this product to switch larger loads, use an external relay / contactor.



Switch Options



Aussie Mech Wall Switch
- Fits in standard wall plates
Model: KIN-SW-AU



Wide Wall Switch – 1 Gang
- Suitable for dimming with dimming compatible receivers
Model: KIN-SW-W-W



Narrow Wall Switch – 1 Gang
- Join more together to make a multi-gang wall switch
Model: KIN-SW-N-W



Key Fob Switch
Model: KIN-SW-K1-B

Specifications are subject to change without notice