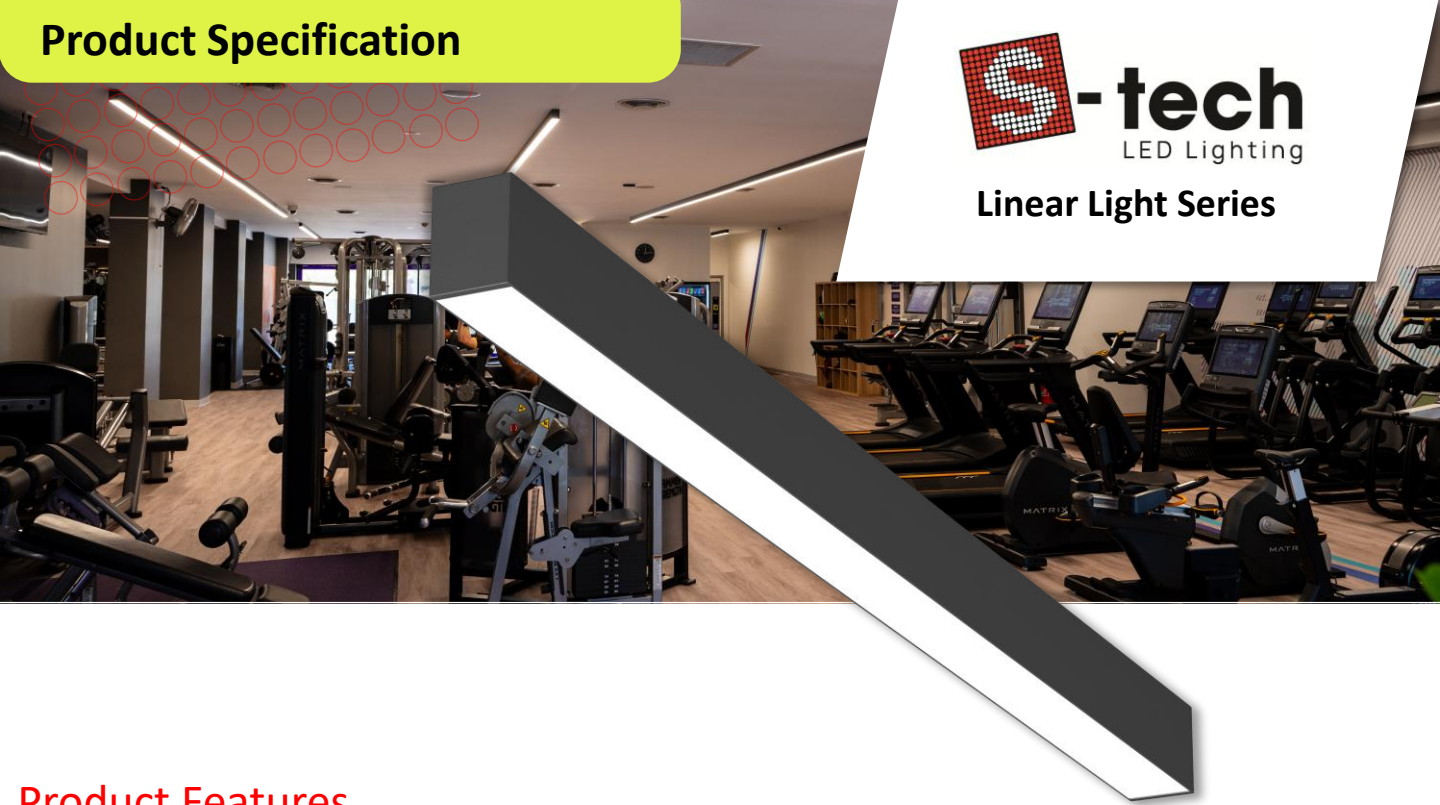


Product Specification



Linear Light Series



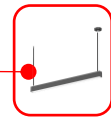
Product Features

- Designed as individual lighting lengths or can be spliced together with seamless connections with optional accessories
- Multiple Installation: Pendant, Surface Mounted, Wall Mounted
- Available in 602mm, 1212mm & 1512mm lengths
- 3 colours in one: 3000K, 4000K, 5000K (switch select)
- Flicker Free Driver
- Supplied as standard for surface mounting together with a splicing kit to join additional sections
- Aluminium base with PC diffuser
- 110° Beam Angle
- IP20 Housing
- Weight: 1.7kg (602mm), 2.7kg (1212mm), 3.5kg (1512mm)

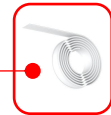
Options:



Corner Joiners



Mounting Kits



Seamless Opal Diffuser



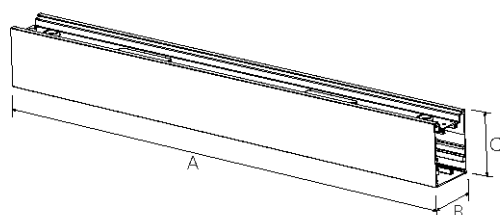
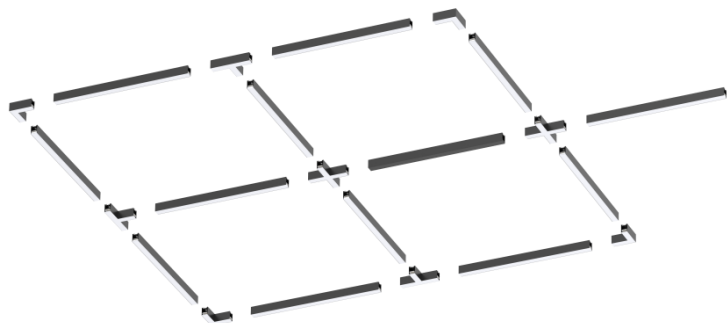
COLOUR SELECT



Model	Watt	Size	CCT	Lumens	Beam Angle	Trim Colour	Weight
LL-0.6-3C-B	17w	602 x 57 x 76mm	3000-4000-5000K	1500~1650lm	110°	Black	1.7kg
LL-0.6-3C-W	17w	602 x 57 x 76mm	3000-4000-5000K	1500~1650lm	110°	White	1.7kg
LL-1.2-3C-B	36w	1212 x 57 x 76mm	3000-4000-5000K	4000~4700lm	110°	Black	2.7kg
LL-1.2-3C-W	36w	1212 x 57 x 76mm	3000-4000-5000K	4000~4700lm	110°	White	2.7kg
LL-1.5-3C-B	45w	1512 x 57 x 76mm	3000-4000-5000K	5000~5800lm	110°	Black	2.7kg
LL-1.2-3C-W	45w	1512 x 57 x 76mm	3000-4000-5000K	5000~5800lm	110°	White	2.7kg

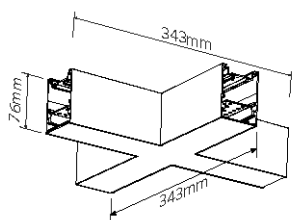
Refer to the following pages for optional accessories

Linear Light Series Connection Accessories



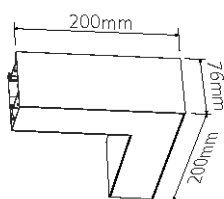
Blank Spacer Section

Model	Size	Trim Colour	Weight
LL-BSS-0.3-B	300 x 57 x 76mm	Black	450g
LL-BSS-0.3-W	602 x 57 x 76mm	White	450g



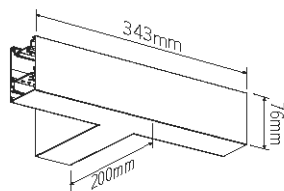
"X" Connector

Model	Size	Trim Colour	Weight
LL-CON-X-B	343 x 343 x 76mm	Black	1.2kg
LL-CON-X-W	343 x 343 x 76mm	White	1.2kg



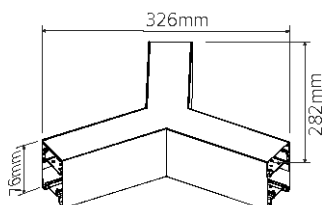
"L" Connector

Model	Size	Trim Colour	Weight
LL-CON-L-B	200 x 200 x 76mm	Black	800g
LL-CON-L-W	200 x 200 x 76mm	White	800g



"T" Connector

Model	Size	Trim Colour	Weight
LLCON-T-B	343 x 200 x 76mm	Black	1kg
LL-CON-T-W	343 x 200 x 76mm	White	1kg

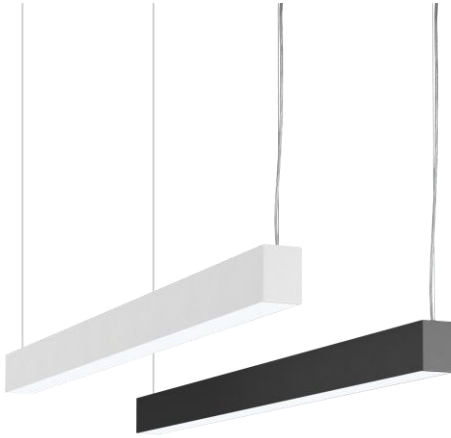


"Y" Connector

Model	Size	Trim Colour	Weight
LL-CON-Y-B	326 x 282 x 76mm	Black	1.2kg
LL-CON-Y-W	326 x 282 x 76mm	White	1.2kg

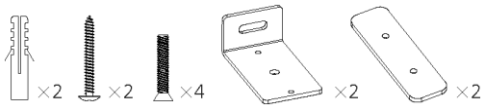
Specifications are subject to change without notice

Linear Light Series Mounting Accessories



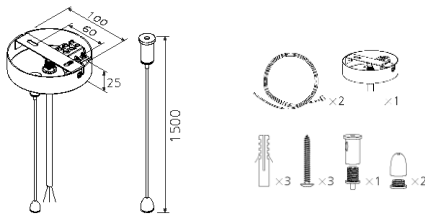
Wall Mounting Kit

Model	Trim Colour	Requirement
LL-WMK-B	Black	1 kit per section
LL-WMK-W	White	1 kit per section



Suspension Kit with Ceiling Plate

Model	Trim Colour	Requirement
LL-CP-1.5-B	Black	1 per main section, then suspension kits only for additional sections
LL-CP-1.5-W	White	1 per main section, then suspension kits only for additional sections



Suspension Kit (excludes Ceiling Plate)

Model	Requirement
LL-SK-1.5	1 kit required per section



Linear Light Diffuser Roll

Model	Size
LL-COVER-5	5m length
LL-COVER-10	10m Length
LL-COVER-15	15m Length



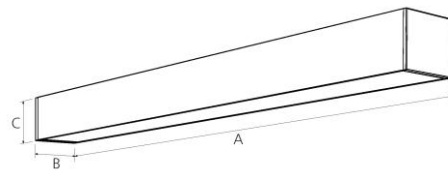
Linear Light Series

Light Fitting Options

Switch to Excellence

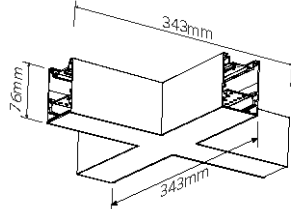
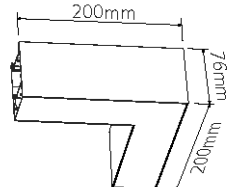
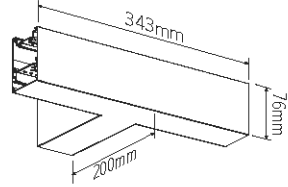
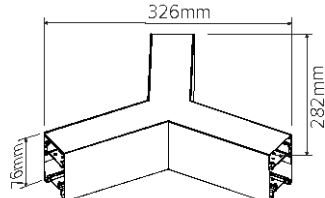
Model	Power	Lumens	CCT	Dimension (A x B x C)	Weight
LL-0.6-3C	17w	1500~1650lm	3000K/4000K/5000K	602 x 57 x 76mm	1.7kg
LL-1.2-3C	36w	3350~3750lm	3000K/4000K/5000K	1212 x 57 x 76mm	2.7kg
LL-1.5-3C	45w	4000~4700lm	3000K/4000K/5000K	1512 x 57 x 76mm	3.5kg

Specification		Dimensions	
CCT	3000K/4000K/5000K (selectable)	Housing	Aluminium
Efficacy	>88lm/w	Lens	Polycarbonate
CRI (%)	≥80	Housing Colour	Black (RAL9005) or White (RAL9016)
Beam Angle	110°	Lifespan	>50,000 hours
Power Input	200~240VAC	Operation Temperature	-20 °C to +45°C
Dimmable	No, DALI Optional		
Impact Rating	IK08		
Protection Rating	IP20	Warranty	3 Years



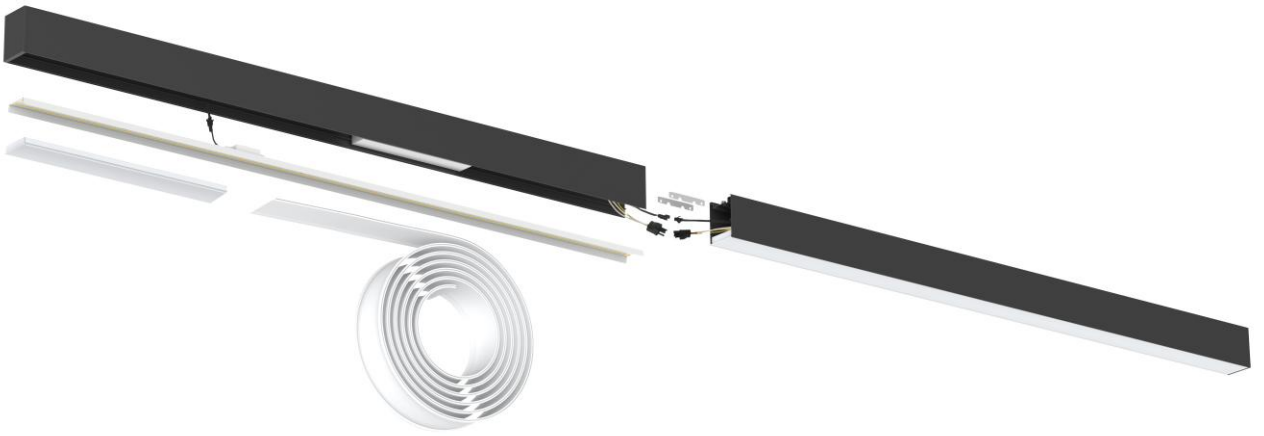
Linear Light Series Connector Options

Model	Power	Lumens	CCT	Dimension (A x B x C)	Weight
LL-CON-X	15w	1350~1600lm	3000K/4000K/5000K	343 x 343 x 76mm	1.2kg
LL-CON-L	10w	950~1150lm	3000K/4000K/5000K	200 x 200 x 76mm	0.8kg
LL-CON-T	15w	1100~1350lm	3000K/4000K/5000K	343 x 200 x 76mm	1.0kg
LL-CON-Y	15w	1100~1350lm	3000K/4000K/5000K	326 x 282 x 76mm	1.2kg

Specification				Dimensions
CCT	3000K/4000K/5000K (selectable)	Housing	Aluminium	
Efficacy	>88lm/w	Lens	Polycarbonate	
CRI (%)	≥80	Housing Colour	Black (RAL9005) or White (RAL9016)	
Beam Angle	110°	Lifespan	>50,000 hours	
Power Input	200~240VAC	Operation Temperature	-20 °C to +45°C	
Dimmable	No, DALI Optional			
Impact Rating	IK08			
Protection Rating	IP20	Warranty	3 Years	



Splicing to make longer section



Using connection accessories to make shapes

