



## AuraGuard – Sensor Series



Model	SEN-IRID16	SEN-IROD12	SEN-IROD182	SEN-IROD183
IP Rating	IP44	IP65	IP66	IP66
Max. Load (LED & CFL)	1000w	300w	500w	1000w
Max. Load (Incandescent)	2000w	1200w	1000w	2000w
Detection Distance	6 ~ 16m	12m	6 ~ 18m	6 ~ 18m
Time Delay	10s ~ 30mins	10s ~ 15mins	10s ~ 30mins	10s ~ 30mins
Light Sensor	2 ~ 2000lux	3 ~ 2000lux	3 ~ 2000lux	3 ~ 2000lux
Manual Override	✓	✗	✗	✓
Adjustable Time Delay	✓	✓	✓	✓
Adjustable Light Sensor	✓	✓	✓	✓
Adjustable Sensitivity	✓	✗	✓	✓
2-Wire Connection	✗	✗	✓	✗
3-Wire Connection	✓	✓	✓	✓
Warranty	5 Years	5 Years	5 Years	5 Years

Specifications are subject to change without notice

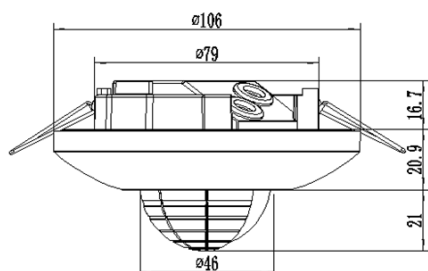
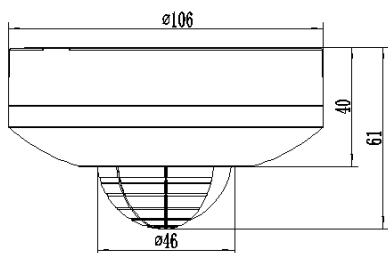


## AuraGuard 16 – Indoor PIR Sensor



### Product Features

- Surface or Recessed Mount
- Manual Override
- Sensor Shield Included
- Adjustable Time Delay, Lux and Sensitivity settings



### Specification

Model	SEN-IRID16
Sensor Type	PIR
Maximum Load	1000w (LED, CFL), 2000w (Incandescent)
Installation Height	2.2m~4m
Detection Distance	6m~16m
Detection Angle	360°
Time Delay	10s ~ 30mins
Light Sensor	2~2000lux
Power Requirement	220~240VAC
Housing	Polycarbonate
Product Dimension	Ø106mm x 61mm (Surface Mount) Ø106mm x 58.5mm (Recessed)
Weight	204g
Protection Rating	IP44
Warranty	5 Years

Specifications are subject to change without notice

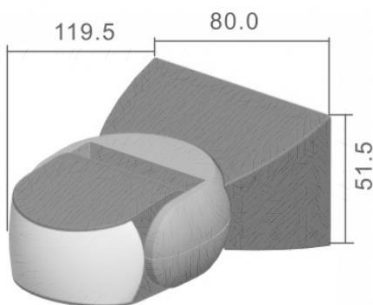


## AuraGuard 12 – Outdoor PIR Sensor



### Product Features

- IP65 Weatherproof
- No Manual Override
- Adjustable Time Delay and Lux settings



### Specification

Model	SEN-IROD12
Sensor Type	PIR
Maximum Load	300w (LED, CFL), 1200w (Incandescent)
Installation Height	1.8m~2.5m
Detection Distance	12m
Detection Angle	180°
Time Delay	10s ~ 15mins
Light Sensor	3~2000lux
Power Requirement	220~240VAC
Housing	Polycarbonate
Product Dimension	119.5 x 80 x 51.5mm
Weight	158g
Protection Rating	IP65
Warranty	5 Years

Specifications are subject to change without notice

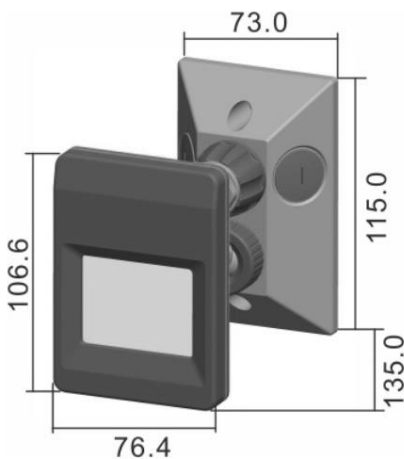


## AuraGuard 182 – Outdoor PIR Sensor



### Product Features

- IP66 Weatherproof
- 2-Wire or 3-Wire connection
- No Manual Override
- Adjustable Time Delay, Lux and Sensitivity settings



### Specification

Model	SEN-IROD182
Sensor Type	PIR
Maximum Load	500w (LED, CFL), 1000w (Incandescent)
Installation Height	1.8m~2.5m
Detection Distance	6~18m
Detection Angle	180°
Time Delay	10s ~ 30mins
Light Sensor	3~2000lux
Power Requirement	220~240VAC
Housing	Polycarbonate
Product Dimension	135 x 73 x 115mm
Weight	204g
Protection Rating	IP66
Warranty	5 Years

Specifications are subject to change without notice

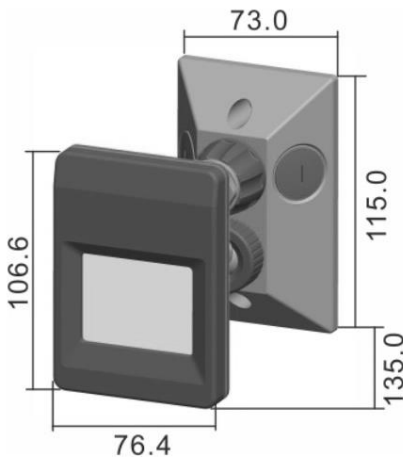


## AuraGuard 183 – Outdoor PIR Sensor



### Product Features

- IP66 Weatherproof
- 3-Wire connection
- Manual Override
- Adjustable Time Delay, Lux and Sensitivity settings



### Specification

Model	SEN-IROD183
Sensor Type	PIR
Maximum Load	1000w (LED, CFL), 2000w (Incandescent)
Installation Height	1.8m~2.5m
Detection Distance	6~18m
Detection Angle	180°
Time Delay	10s ~ 30mins
Light Sensor	3~2000lux
Power Requirement	220~240VAC
Housing	Polycarbonate
Product Dimension	135 x 73 x 115mm
Weight	204g
Protection Rating	IP66
Warranty	5 Years

Specifications are subject to change without notice