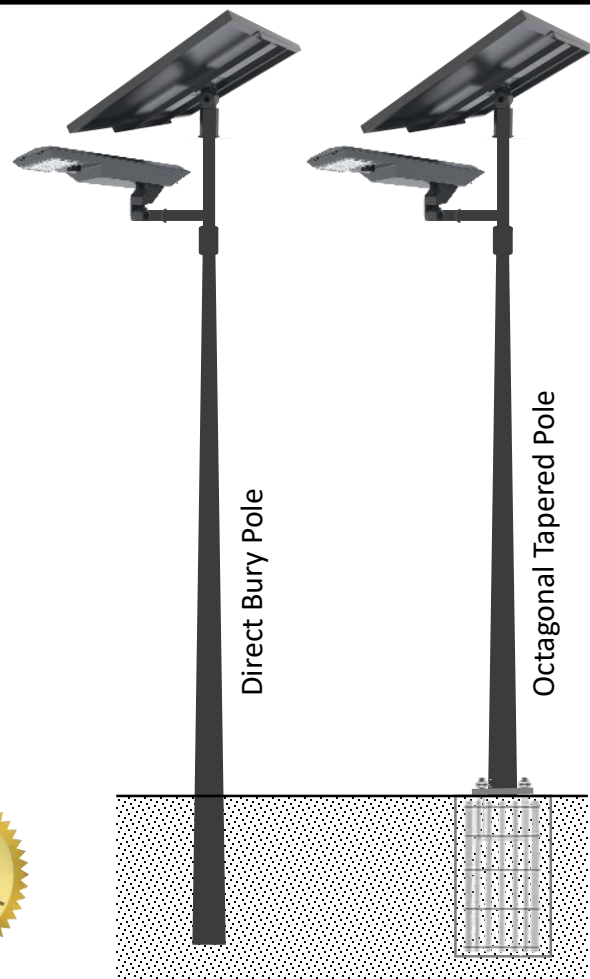




## 40w G3 Solar Street Light Kits – with Pole

### Product Features

- 100% operation, dusk to dawn
- Fits 60mm spigot size
- Supports pole top or spigot mount
- Automatic night-time operation
- MPPT intelligent controller
- Aluminium die cast housing
- Adjustable solar panel allows for ultimate angle and direction to achieve best charging results.
- 155/70° Beam Angle
- IP65 Housing



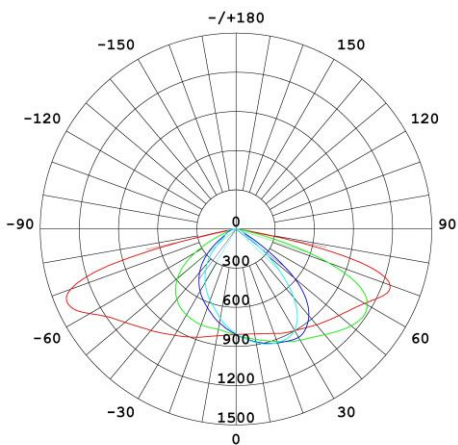
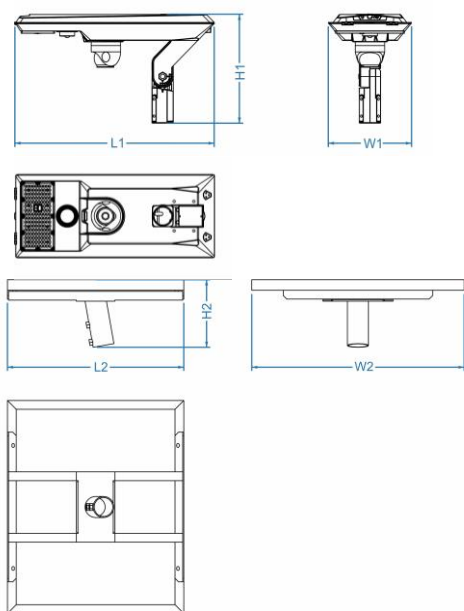
### Specification Overview

Model	Power	Pole Height	Pole Type	Power Requirement	Colour Temp	Lumens	Beam Angle	Pole Colour
SSLS-G340-DB4	40w	4m	Direct Bury	Solar	5000K	4000lm	155/70°	Dark Grey
SSLS-G340-DB6	40w	6m	Direct Bury	Solar	5000K	4000lm	155/70°	Dark Grey
SSLS-G340-TP4	40w	4m	Tapered	Solar	5000K	4000lm	155/70°	Dark Grey
SSLS-G340-TP6	40w	6m	Tapered	Solar	5000K	4000lm	155/70°	Dark Grey

# Light Specification



## 40w G3 Solar Street Light Kits – with Pole



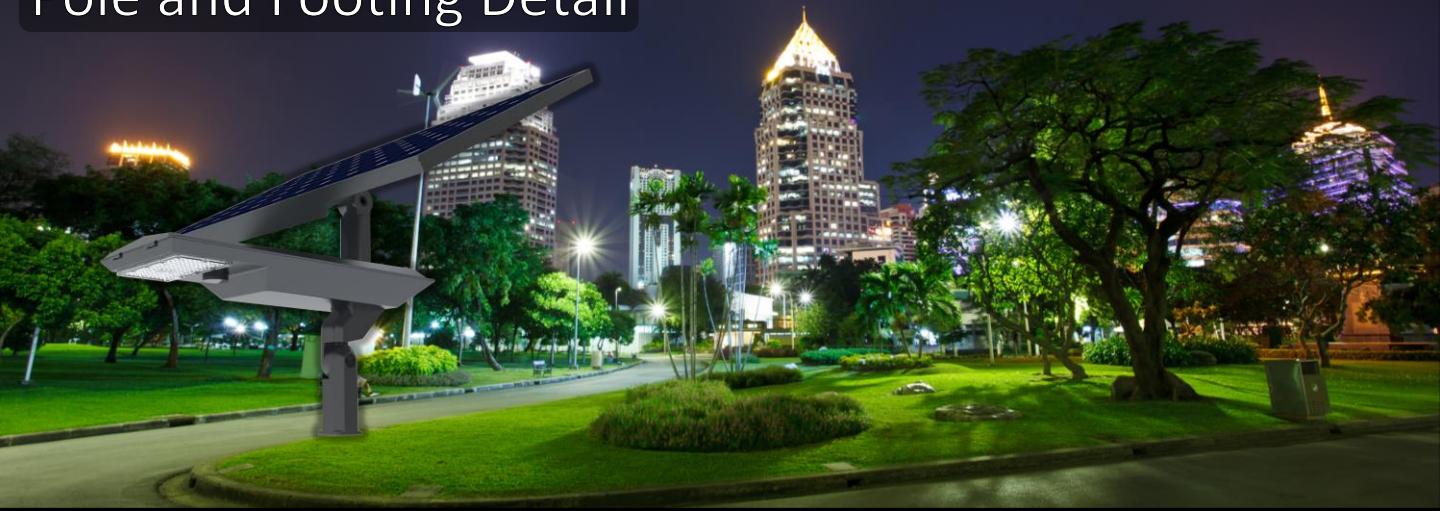
### Specification

Model	SSL-G340CF
Colour Temperature (1CCT)	5000K
Lumen (lm)	4000lm
Efficiency (lm/w)	>100lm/w
Light Source	LED
CRI (%)	≥80
Beam Angle	155° / 70°
Power Requirement	Solar Powered
Battery	755wH Ternary Lithium
Charging Time	~6 Hours
Operation Time	Dusk to dawn*
Operation	100% on, no sensor control
Housing	Diecast aluminium with PC diffuser
Lifespan	>40,000 hours
Operation Temperature	-10°C~+55°C
Product Dimension (light)	713 x 297 x 384mm
Product Dimension (panel)	819 x 978 x 192mm
Impact Rating	IK08
Weight	32kg
Protection Rating	IP65
Warranty	2 Years

\* S-Tech solar products are designed for dusk to dawn operation with added allowance for winter conditions, however you must be aware that in winter months it is possible that some nights the light will not last all night due to inclement weather conditions limiting charging time. Solar is not recommended for any locations classed as critical lighting areas where lighting is required all night.

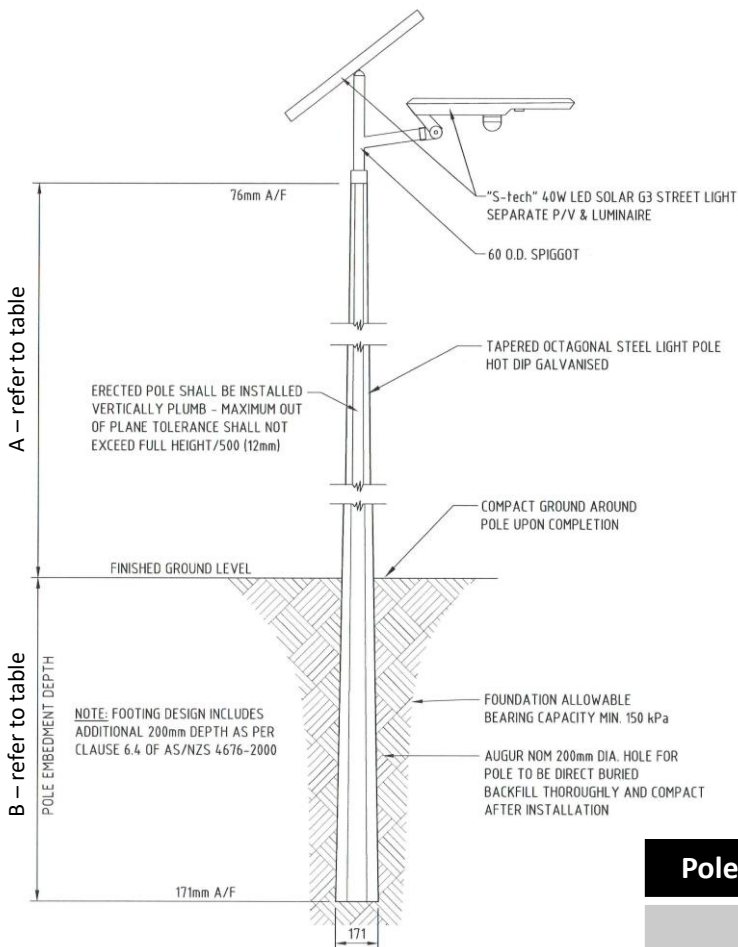
Specifications are subject to change without notice

# Pole and Footing Detail



## 40w G3 Solar Street Light Kits – with Pole

### Direct Bury Pole



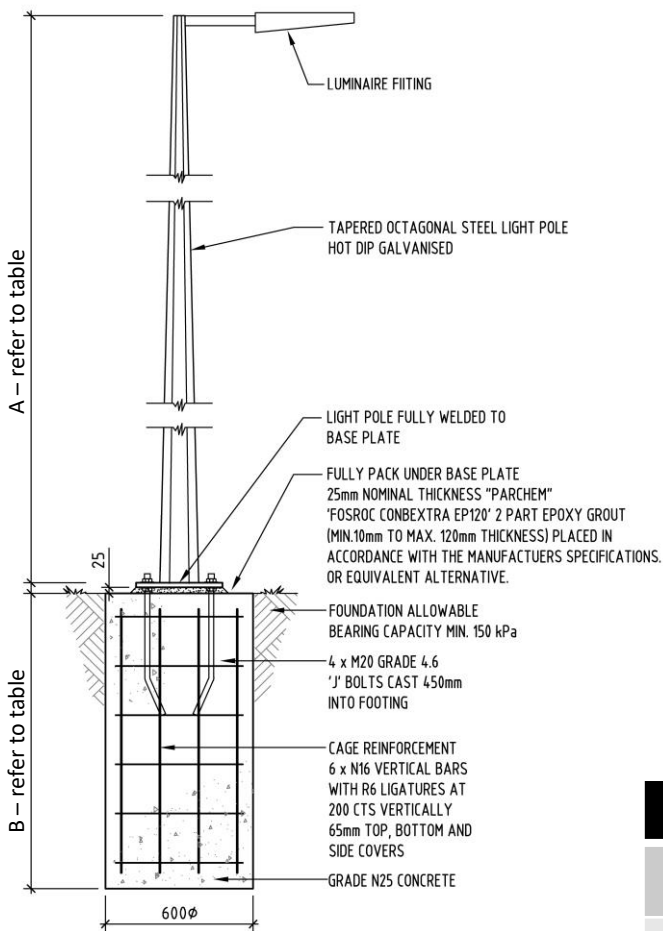
Pole Height (A)	Size of footing (B)
3.8m	Ø200mm x 1200mm deep
6m	Ø200mm x 1500mm deep

# Pole and Footing Detail



## 40w G3 Solar Street Light Kits – with Pole

### Octagonal Tapered Pole



Pole Height (A)	Size of footing (B)
4m	Ø600mm x 1000mm deep
6m	Ø600mm x 1200mm deep