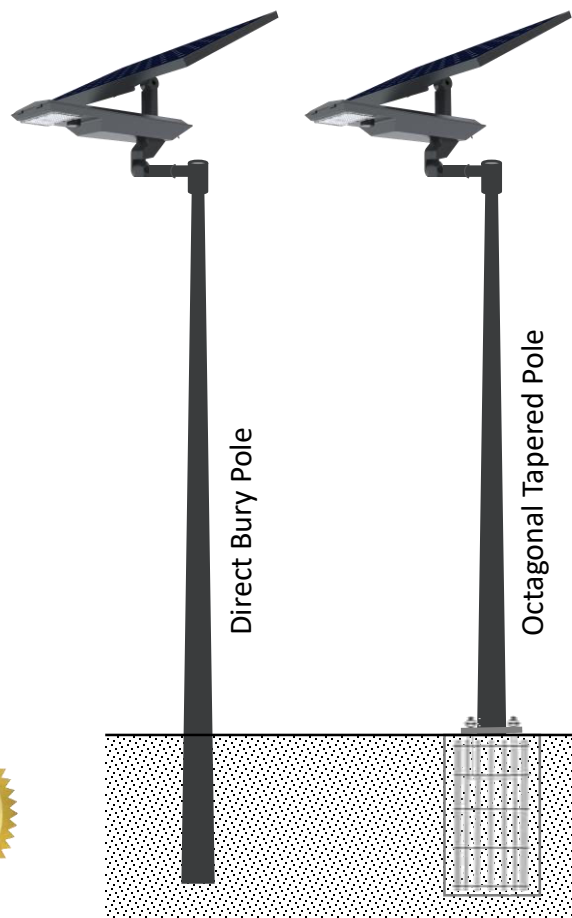




## 60w G3 Solar Street Light Kits – with Pole

### Product Features

- 4m or 6m powder coated direct bury or octagonal tapered pole with caged rag bolt assembly
- 60w S-Tech G3 series solar street light
- Power saving mode (PSM) provides 30% reduced brightness until sensor detects motion
- Automatic night-time operation
- MPPT intelligent controller
- Adjustable solar panel allows for ultimate angle and direction to achieve best charging results.
- 155/70° Beam Angle



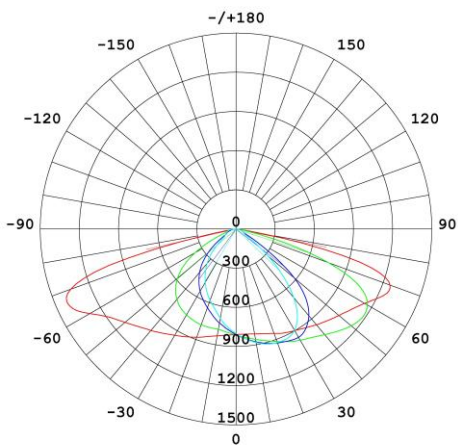
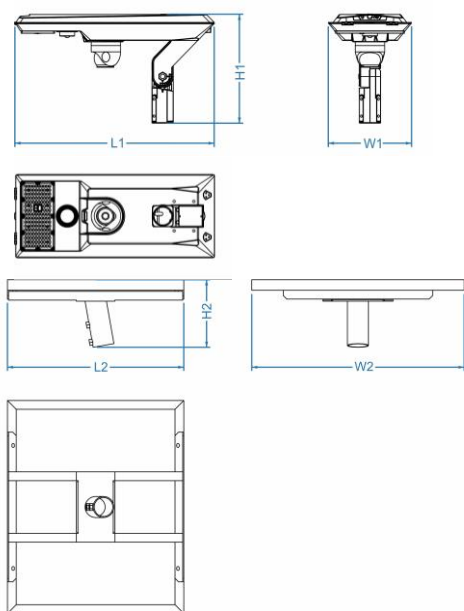
### Specification Overview

Model	Power	Pole Height	Pole Type	Power Requirement	Colour Temp	Lumens	Beam Angle	Pole Colour
SSLS-G360-DB4	60w	4m	Direct Bury	Solar	5000K	7200lm	155/70°	Dark Grey
SSLS-G360-DB6	60w	6m	Direct Bury	Solar	5000K	7200lm	155/70°	Dark Grey
SSLS-G360-TP4	60w	4m	Tapered	Solar	5000K	7200lm	155/70°	Dark Grey
SSLS-G360-TP6	60w	6m	Tapered	Solar	5000K	7200lm	155/70°	Dark Grey

# Light Specification



## 60w G3 Solar Street Light Kits – with Pole



\* S-Tech solar products are designed for dusk to dawn operation with added allowance for winter conditions, however you must be aware that in winter months it is possible that some nights the light will not last all night due to inclement weather conditions limiting charging time. Solar is not recommended for any locations classed as critical lighting areas where lighting is required all night.

### Specification

Model	SSL-G360C2
Colour Temperature (1CCT)	5000K
Lumen (lm)	7200lm
Efficiency (lm/w)	>120lm/w
Light Source	LED
CRI (%)	≥80
Beam Angle	155° / 70°
Power Requirement	Solar Powered
Battery	377wH Ternary Lithium
Charging Time	~6 Hours
Operation Time	Dusk to dawn*
Factory Default Setting	30% no motion detected, 100% when motion detected
Housing	Diecast aluminium with PC diffuser
Lifespan	>40,000 hours
Operation Temperature	-10°C~+55°C
Product Dimension (light)	713 x 297 x 384mm
Product Dimension (panel)	671 x 566 x 192mm
Impact Rating	IK08
Weight	25kg
Protection Rating	IP65
Warranty	2 Years

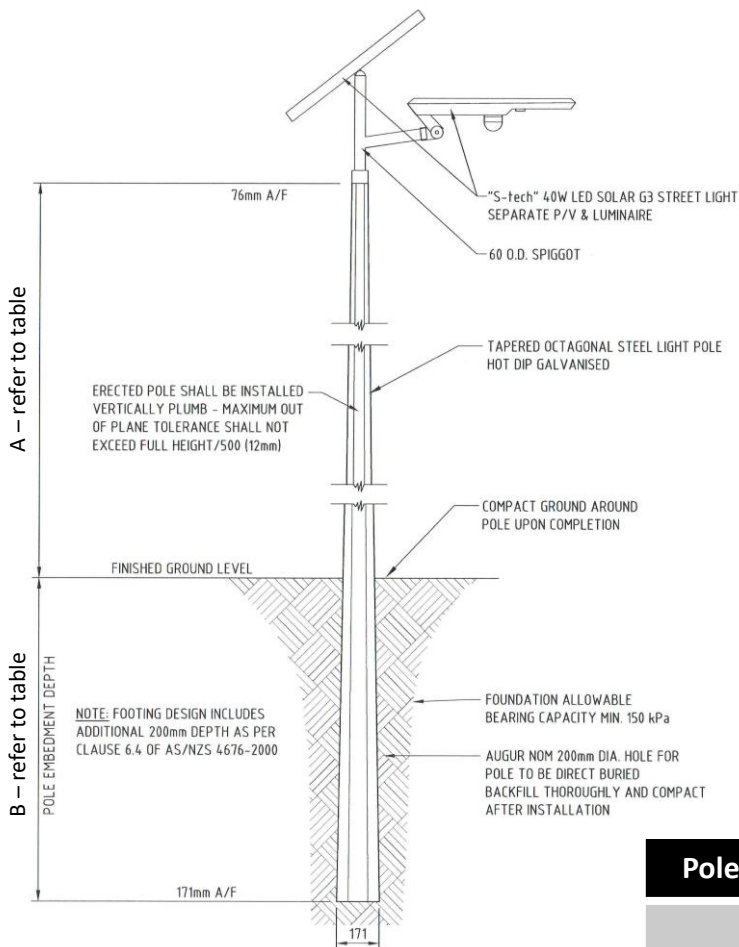
Specifications are subject to change without notice

# Pole and Footing Detail



## 60w G3 Solar Street Light Kits – with Pole

### Direct Bury Pole



Pole Height (A)	Size of footing (B)
3.8m	Ø200mm x 1200mm deep
6m	Ø200mm x 1500mm deep

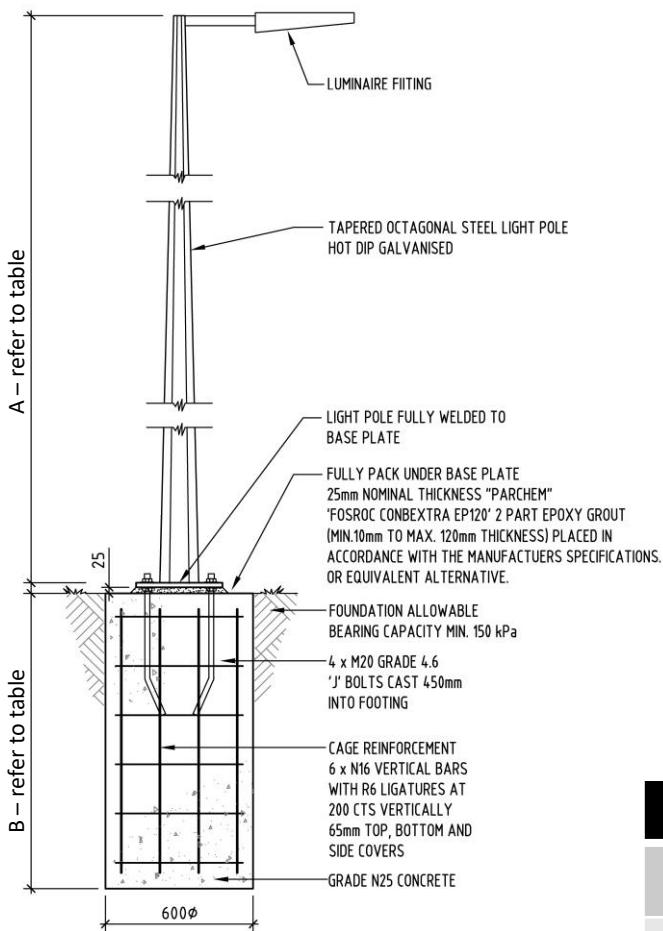


# Pole and Footing Detail



## 60w G3 Solar Street Light Kits – with Pole

### Octagonal Tapered Pole



Pole Height (A)	Size of footing (B)
4m	Ø600mm x 1000mm deep
6m	Ø600mm x 1200mm deep