

Product Specification



Round Street Lantern ORION 60w 3CCT



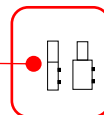
Product Features

- 4w to 60w Adjustable
- Colour Adjustable (3000K ~ 5000K)
- Supplied with remote control for programming
- 4 wattage selections 10w, 20w, 30w, 60w
- Black Housing
- Fits both 60mm and 76mm spigot size (76-60mm sleeve adaptor included)
- Aluminium die cast housing
- 140° Beam Angle
- IP65 Housing
- IK08 Impact Rating
- Weight: 6.9kg

Options:



Mounting Poles



Spigot Adaptors

Specification Overview



COLOUR SELECT



WATT SELECT



REMOTE SET-UP

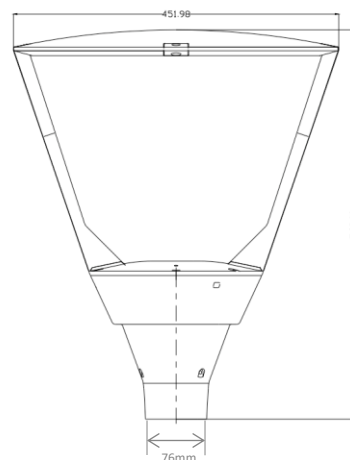


Model	Power	Input	Colour Temp	Lumens	Beam Angle	Trim Colour	Dimensions	Spigot Size
PSL-ORION-3C	4w ~ 60w	220~240VAC	3000~5000K	6,440lm (60w, 4000K)	140°	Black	Ø452 X 542mm	Ø60mm or Ø76mm

Round Street Lantern ORION 60w 3CCT

Model	Power	Lumens	CCT	Spigot Size	Dimension	Weight
PSL-ORION-3C	4w ~ 60w	6,440lm (60w, 4000K)	3000~5000K	Ø76mm (76-60mm sleeve adaptor included)	Ø452 x 542mm	6.9kg

Specification		Dimensions	
CCT	3000~5000K	Housing	Aluminium
Efficacy	>122lm/w	Lens	Toughened Glass
CRI (%)	≥80	Housing Colour	Black
Beam Angle	140°	Lifespan	>40,000 hours
Power Input	220~240VAC	Operation Temperature	-20 °C to +45°C
Dimmable	Yes, with remote		
Impact Rating	IK08		
Protection Rating	IP65	Warranty	5 Years



Options



Mounting Poles
Direct Bury and Base
Plate options
available



SLM-PTA-10176-G
Pole Top Adaptor
Ø85~93mm > 76mm
Galvanised Finish

SLM-PTA-10176-PC (black)