

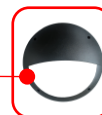


## PC LED Bunker Light

### Product Features

- 10w-16w (Watt Select)
- 3 colours in one: 3000K/4000K/5000K (selectable)
- Available in black or white housing
- Double Insulated
- 120° Beam Angle
- Robust polycarbonate housing
- Ø300mm x 95mm
- Rating: IP65
- Impact Rating: IK10
- Weight: 1.05kg

Options:



Eyelid Cover



Microwave sensor



Dusk-to-dawn sensor



Vandal Resistance  
**IK10**



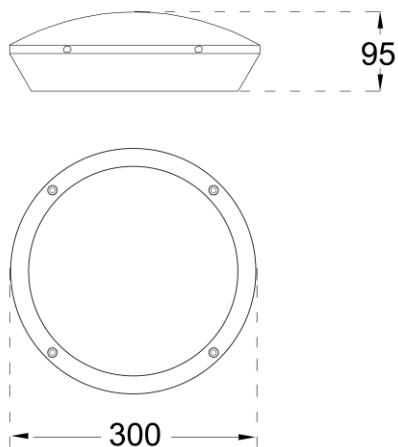
N14256

5627

Model	Watt	Size	CCT	Lumens	Beam Angle	Trim Colour	Weight
WL-BHPC-B	10w-16w	Ø300mm x 95mm	3000K/4000K/5000K	1010-1770lm	120°	Black	1.05kg
WL-BHPC-W	10w-16w	Ø300mm x 95mm	3000K/4000K/5000K	1010-1770lm	120°	White	1.05kg



## PC LED Bunker Light



### Options:



**Eyelid Cover**  
 Model: WL-BHPC-ELC-B  
 Model: WL-BHPC-ELC-W  
 (B) Black (W) White



**Microwave sensor**  
 Model: WL-BH-MMS2



**Dusk-to-dawn sensor**  
 Model: WL-BH-PE

### Specification

Model	WL-BHPC-B	WL-BHPC-W	
Trim Colour	Black	White	
Colour Temperature (3CCT)	3000K	4000K	5000K
Lumen (lm) @ 16w	1627lm	1770lm	1641lm
Efficiency (lm/w) @ 16w	>101lm/w	>110lm/w	>102lm/w
Light Source	LED		
CRI (%)	≥80		
Beam Angle	120°		
Power Requirement	220~240VAC		
Power Consumption (selectable)	10w / 16w		
Dimmable	No		
Housing	Polycarbonate		
Lifespan	>40,000 hours		
Operation Temperature	-20°C~+45°C		
Product Dimension	Ø300 x 95mm		
Impact Rating	IK10		
Weight	1.05kg		
Protection Rating	IP65		
Warranty	3 Years		

Specifications are subject to change without notice