



30w LED Bunker Light – Round (Large)

Product Features

- 30w
- 3 colours in one: 3000K, 4000K, 5000K (switch select)
- Available in black or white housing
- 120° Beam Angle
- Aluminium die cast housing
- Polycarbonate face
- Ø350 x 100mm
- IP65 Housing
- IK10 Impact Rating
- Weight: 2.7kg



Options:



Eyelid Cover



Emergency Fitting



Microwave Sensor



Dusk-to-dawn sensor

3 Colour Adjustable

Specification Overview



Vandal Resistance
IK10

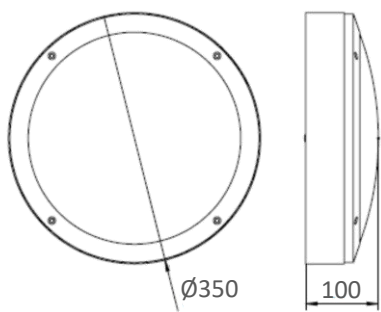


Model	Power	Power Requirement	Colour Temp	Lumens	Beam Angle	Trim Colour	Dimensions
WL-BH30-3C-B	30w	220~240VAC	3000K/4000K/5000K	2463~2722lm	120°	Black	Ø350x100mm
WL-BH30-3C-W	30w	220~240VAC	3000K/4000K/5000K	2463~2722lm	120°	White	Ø350x100mm

Product Specification



30w LED Bunker Light – Round (Large)



Options:



Eyelid Cover

Model: WL-BH30-ELC-B
Model: WL-BH30-ELC-W
(B) Black (W) White



Microwave Sensor

Add in sensor option
Model: WL-BH-MMS2



Photocell

Add in sensor option
Turns on at dusk and off and dawn
Model: WL-BH-PE



Emergency Fitting

Model: WL-BH30-3C-B-E
(B) Black

Specification

Model	WL-BH30-3C-B	WL-BH30-3C-W	
Trim Colour	Black	White	
Colour Temperature (3CCT)	3000K	4000K	5000K
Lumen (lm)	2463lm	2722lm	2488lm
Efficiency (lm/w)	>82lm/w	>90lm/w	>83lm/w
Light Source	LED		
CRI (%)	≥80		
Beam Angle	120°		
Power Requirement	220~240VAC		
Power Consumption	30w		
Dimmable	No		
Housing	Diecast aluminium with PC diffuser		
Lifespan	>40,000 hours		
Operation Temperature	-20°C~+45°C		
Product Dimension	Ø350 x 100mm		
Impact Rating	IK10		
Weight	2.7kg		
Protection Rating	IP65		
Warranty	5 Years		

Specifications are subject to change without notice