

LED High Mast Flood Light - M- 400W

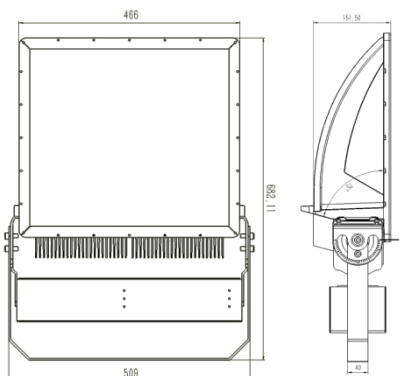
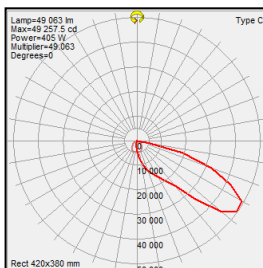
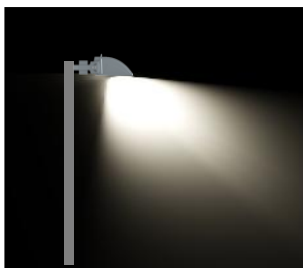
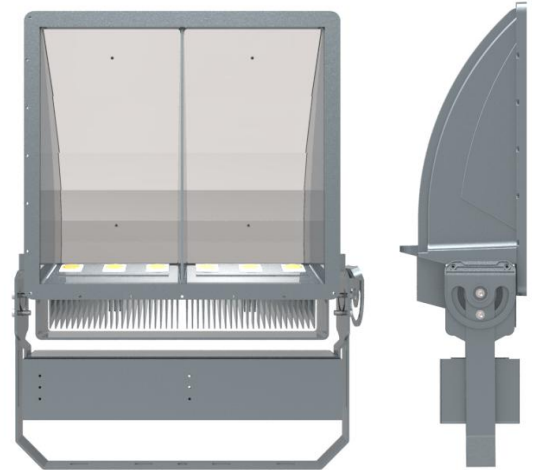
Model: ST-M-HML400N-V

S-tech's LED high mast flood lights are a forward throw indirect asymmetric design floodlight which are the perfect choice for replacing traditional forward throw shoebox lights. Applications are for tennis courts, sports stadiums, airports, shipping ports, car parks or any high mast lighting locations.

Our robust design, latest high powered Nichia LED's provides a superior light uniformity across the lit area and provides a lifetime of maintenance free performance.

Product Features

- Only consumes 400w of power
- Quality Meanwell Driver
- 20kV Surge Protector
- Forward throw indirect design
- Reduced glare with cut-off
- Marine grade aluminium structure
- Corrosion resistant polyester powder coat finish
- IP65 weatherproof housing



SPECIFICATION

Colour	Cool White (5000K)
Lumen (lm)	49063lm
LED Efficiency (Lm/w)	>145lm/w
Illuminance Uniformity	>0.8
Light Source	Nichia LED's
CRI (%)	>80%
Beam Angle	Asymmetric 60°
Power Requirement	AC 100~270V
Total Power Consumption	405W
Housing	Aluminium with Tempered Glass Face
Lifespan	> 50,000 hours
Operation Temperature	-40°C~+70°C
Dimension (mm)	466 (W) × 682 (H) × 152 (D)
Weight	17.5kg
Protection Rating	IP65
Warranty	7 years