



10w LED Panel Down Light – Adjustable Gimbal

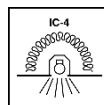
Product Features

- Only consumes 10w of power
- 3 colours in one: 3000K, 4000K, 5000K (switch select)
- Remote driver with flex and plug
- White, Black or Brushed Chrome Trim available
- 25° tilt
- 100° Beam Angle
- Ø104 x 30mm
- 90mm cut-out
- IP20 Housing
- Weight: 326g



3 Colour Adjustable

Specification Overview

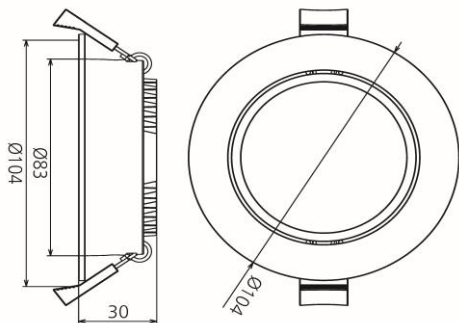


Model	Power	Power Requirement	Colour Temp	Lumens	Beam Angle	Trim Colour	Dimensions
PDL-1090AG-3C-W	10w	220~240VAC	3000-4000-5000K	950~1050lm	100°	White	Ø104 x 30mm
PDL-1090AG-3C-BC	10w	220~240VAC	3000-4000-5000K	950~1050lm	100°	B/ Chrome	Ø104 x 30mm
PDL-1090AG-3C-BLK	10w	220~240VAC	3000-4000-5000K	950~1050lm	100°	Black	Ø104 x 30mm

Product Specification

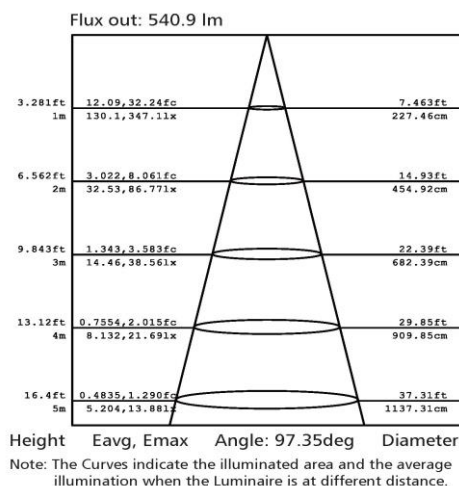


10w LED Panel Down Light – Adjustable Gimbal



Specification

Model	PDL-1090AG-3C
Colour Temperature	3CCT: 3000K / 4000K / 5000K
Lumen (lm)	950~1050lm
Efficiency (lm/w)	>95 lm/w
Light Source	LED
CRI (%)	≥80
Beam Angle	100°
Power Requirement	220~240VAC
Power Consumption	10w
Dimmable	Yes, Triac dimmable
Housing	Aluminium
Lifespan	>50,000 hours
Operation Temperature	-20°C~+45°C
Product Dimension	Ø104 x 30mm
Cut-Out	90mm
Weight	326g
Protection Rating	IP20
Warranty	5 Years



Specifications are subject to change without notice