



## 100w V19E Slimline LED Flood Light

### Product Features

- 100w
- Quality Driver
- Full range power input 90~305VAC
- Aluminium die cast housing
- Tempered glass face
- 120° Beam Angle
- 394 x 394 x 56mm
- IP66 Housing
- Weight: 4.5kg



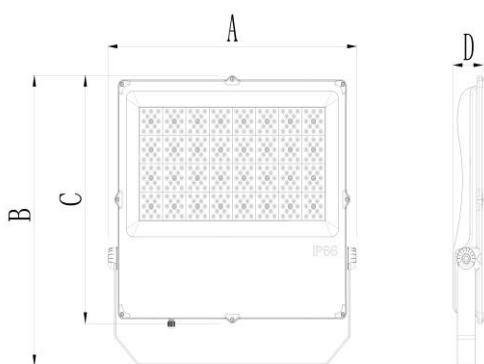
### Specification Overview

Model	Power	Power Requirement	Colour Temp	Lumens	Beam Angle	Trim Colour	Dimensions
FLA-SC100W-V19E	100w	90~305VAC	5000K	13,300lm	120°	Black	394x394x56mm

# Product Specification

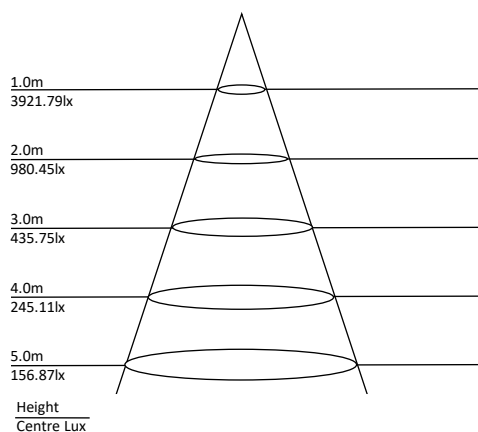


## 100w V19E Slimline LED Flood Light



### Specification

Model	FLA-SC100W-V19E
Colour Temperature (1CCT)	5000K
Lumen (lm)	13,300lm
Efficiency (lm/w)	>130lm/w
Light Source	LED
CRI (%)	≥80
Beam Angle	120°
Power Requirement	90~305VAC
Power Consumption	102.2w
Dimmable	No
Housing	Diecast aluminium with toughened glass lens
Lifespan	>50,000 hours
Operation Temperature	-20°C~+60°C
Product Dimension	394 x 394 x 56mm
Impact Rating	IK08
Weight	4.5kg
Protection Rating	IP66
Warranty	5 Years



Specifications are subject to change without notice