



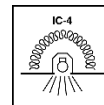
42w Rectangle LED Shop Light

Product Features

- Only consumes 42w of power
- 3 colours in one: 3000K, 4000K, 5000K (switch select)
- 120° Beam Angle
- 90° tilt
- White Colour Trim
- 220 x 130mm cut-out
- IP20 Housing
- Weight: 1.8kg



3 Colour Adjustable



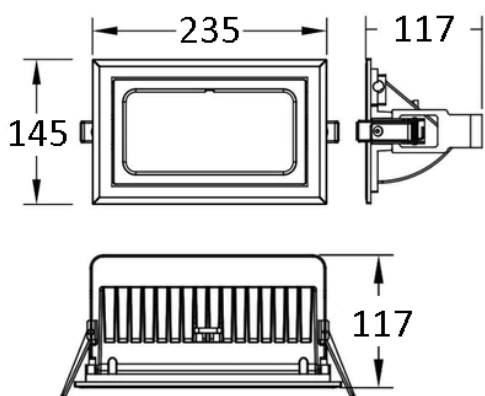
Specification Overview

Model	Power	Power Requirement	Colour Temp	Lumens	Beam Angle	Trim Colour	Dimensions	Cut-Out
CSL-042-3C-W	42w	200~240VAC	3000-4000-5000K	4500~5000lm	120°	White	235 x 145 x 117mm	220 x 130mm

Product Specification



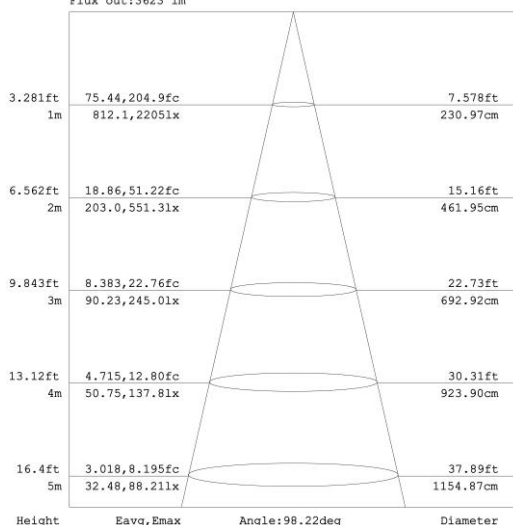
42w Rectangle Shop Light



Specification

Model	CSL-042R-3C-W
Colour Temperature	3CCT: 3000K / 4000K / 5000K
Lumen (lm)	4500~5000lm
Efficiency (lm/w)	>110 lm/w
Light Source	LED
CRI (%)	≥80
Beam Angle	120°
Power Requirement	220~240VAC
Power Consumption	40.5w
Dimmable	No
Housing	Aluminium
Lifespan	>50,000 hours
Operation Temperature	-20°C~+45°C
Product Dimension	235 x 145 x 117mm
Cut-Out	220 x 130mm
Weight	1.8kg
Protection Rating	IP20
Warranty	5 Years

Flux out:3623 lm



Specifications are subject to change without notice