



6.8w LED/Solar Bollard Light – RGBW

Product Features

- Complete Solar Bollard
- 900mm high
- RGB and White (3000~6000K)
- Automatic night-time operation
- Intelligent controller
- Supplied with remote control
- Replaceable battery pack
- Minimal maintenance
- Aluminium Post
- IK10 Polycarbonate dome
- 120° Beam Angle
- IP65 Housing
- Weight: 3.7kg



Vandal Resistance
IK10



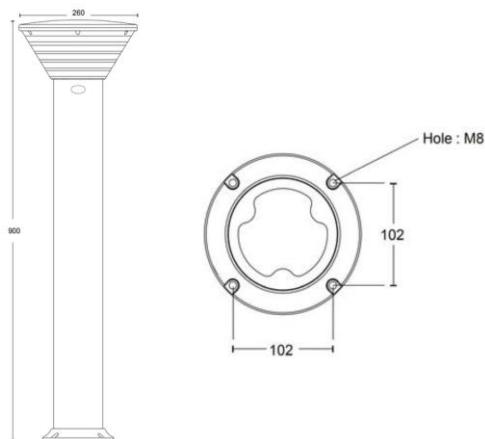
Specification Overview

Model	Power	Power Requirement	Colour Temp	Lumens	Beam Angle	Post Colour	Dimensions
SBL-1MB-RGBW	6.8w	Solar	3000~6000K + RGB	400lm	120°	Black	Light Ø260 x 140mm Post Ø110 x 760mm Overall Height: 900mm

Product Specification



6.8w LED/Solar Bollard Light - RGBW



Specification

Model	SBL-1MB-RGBW
Colour Temperature	RGB + 3000K ~ 6000K
Lumen (lm)	400lm
Efficiency (lm/w)	>120lm/w
Light Source	LED
CRI (%)	≥80
Beam Angle	120°
Power Requirement	Solar Powered
Battery	36wH Lithium LifePo4
Charging Time	~6 Hours
Operation Time	Dusk to dawn*
Housing	Aluminium post with PC light head
Lifespan	>40,000 hours
Operation Temperature	-10°C~+40°C
Product Dimension (light)	Ø260 x 140mm
Product Dimension (post)	Post Ø110 x 760mm
Product Dimension	Overall Height: 900mm
Impact Rating (light head)	IK10
Weight	3.7kg
Protection Rating	IP65
Warranty	2 Years

* S-Tech solar products are designed for dusk to dawn operation with added allowance for winter conditions, however you must be aware that in winter months it is possible that some nights the light will not last all night due to inclement weather conditions limiting charging time. Solar is not recommended for any locations classed as critical lighting areas where lighting is required all night.

Specifications are subject to change without notice