



40w LED/Solar G3 Street Light – Separate Panel

Product Features

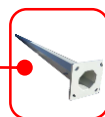
- 100% operation, dusk to dawn
- Fits 60mm spigot size
- Supports pole top or spigot mount
- Automatic night-time operation
- MPPT intelligent controller
- Aluminium die cast housing
- Adjustable solar panel allows for ultimate angle and direction to achieve best charging results.
- 155/70° Beam Angle
- IP65 Housing
- Weight: 32kg



Options:



Pole top spigot adaptor



Mounting Pole



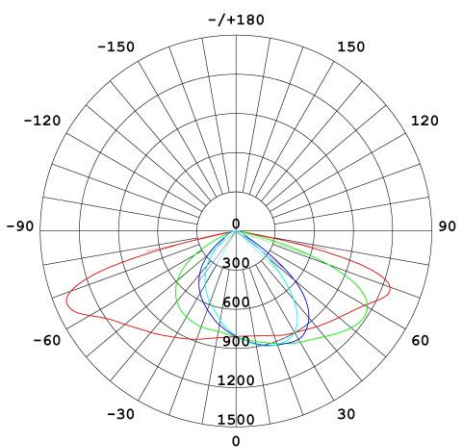
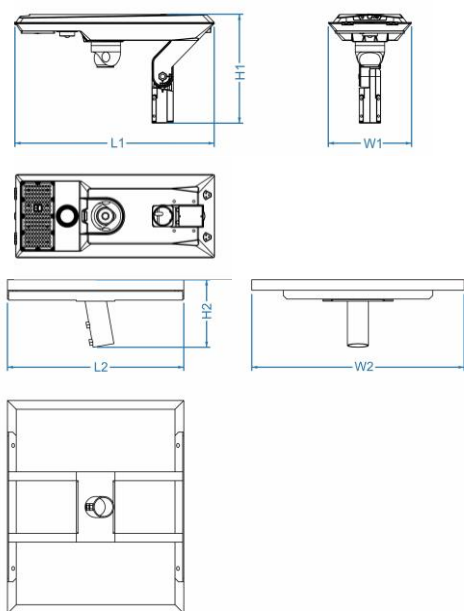
Specification Overview

Model	Power	Power Requirement	Colour Temp	Lumens	Beam Angle	Trim Colour	Mounting Height	Dimensions	Spigot Size
SSL-G340CF	40w	Solar	5000K	4000lm	155/70°	Dark Grey	6-8m	Light 713 x 297 x 384mm Panel 819 x 978 x 192mm	Ø60mm

Product Specification



40w LED/Solar G3 Street Light – Separate Panel



* S-Tech solar products are designed for dusk to dawn operation with added allowance for winter conditions, however you must be aware that in winter months it is possible that some nights the light will not last all night due to inclement weather conditions limiting charging time. Solar is not recommended for any locations classed as critical lighting areas where lighting is required all night.

Specification

Model	SSL-G340CF
Colour Temperature (1CCT)	5000K
Lumen (lm)	4000lm
Efficiency (lm/w)	>100lm/w
Light Source	LED
CRI (%)	≥80
Beam Angle	155° / 70°
Power Requirement	Solar Powered
Battery	755wH Ternary Lithium
Charging Time	~6 Hours
Operation Time	Dusk to dawn*
Operation	100% on, no sensor control
Housing	Diecast aluminium with PC diffuser
Lifespan	>40,000 hours
Operation Temperature	-10°C~+55°C
Product Dimension (light)	713 x 297 x 384mm
Product Dimension (panel)	819 x 978 x 192mm
Impact Rating	IK08
Weight	32kg
Protection Rating	IP65
Warranty	2 Years

Specifications are subject to change without notice

Product Specification



40w LED/Solar G3 Street Light – Separate Panel

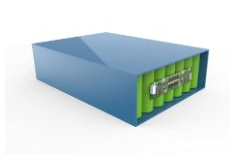
System Features



- Installation angle -15° to $+15^{\circ}$ adjustable
- Supports pole top or spigot mounting



- Die cast aluminium housing, tool-free opening for maintenance
- Corrosion resistant powder coating with S/Steel fixings

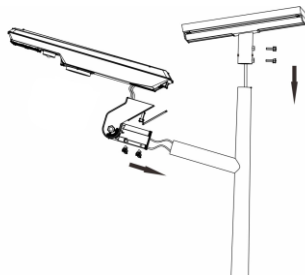


- Temperature protection system
- 3 way temperature control via battery, battery pack and system controller



- MPPT controller, 15-20% higher efficiency than PWM controllers
- Low battery level dimming to prolong LED lighting time

Installation methods



Brightness Control



No motion sensor



100% brightness
from dusk to dawn