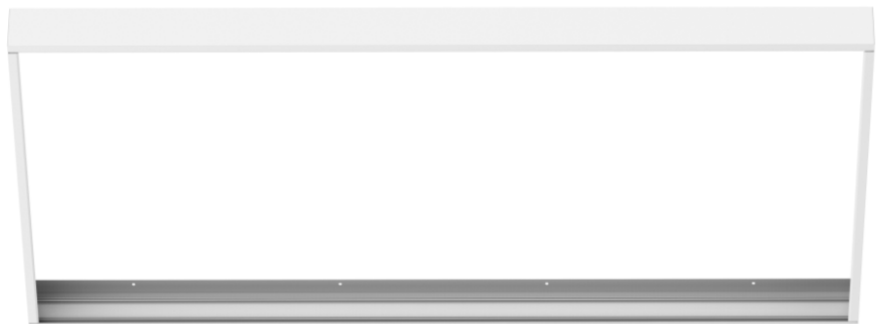
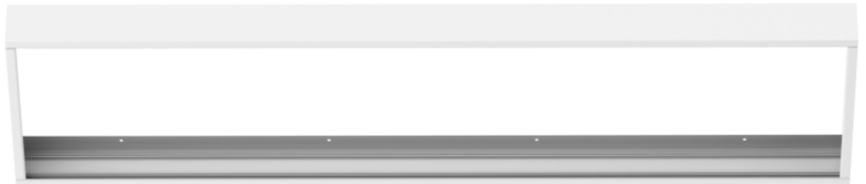




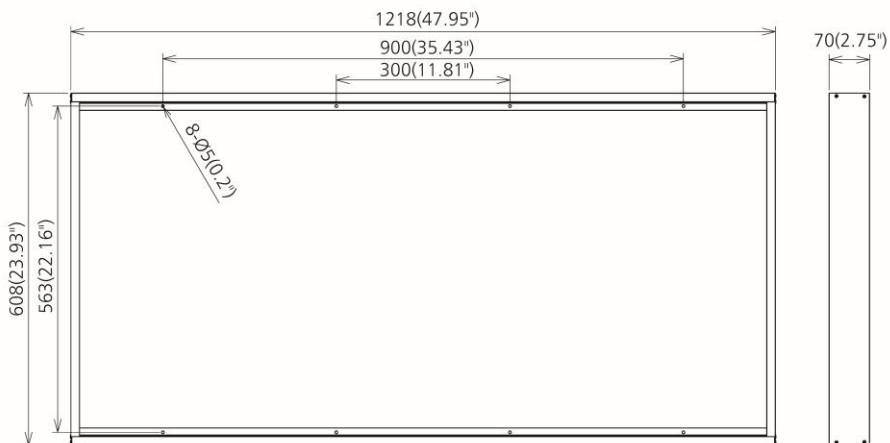
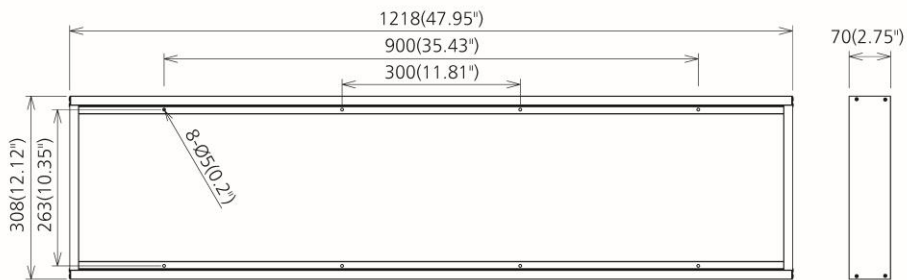
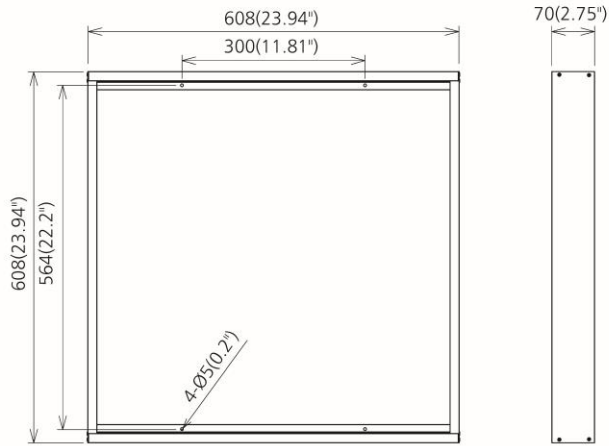
Surface Mount Frame Kits

Product Features

- Assemble yourself frames
- Powdercoated white to match T-Bar Panels
- Available to suit 600x600, 300x1200, 600x1200 V4 T-Bar Panels

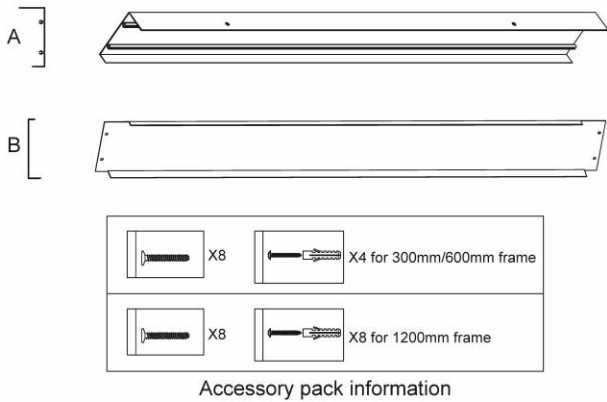


Surface Mount Frame Kits

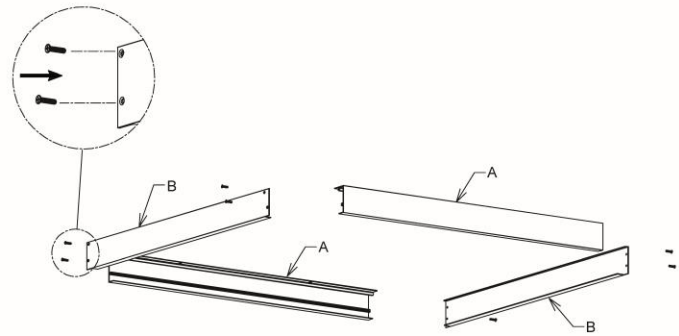


Specifications are subject to change without notice

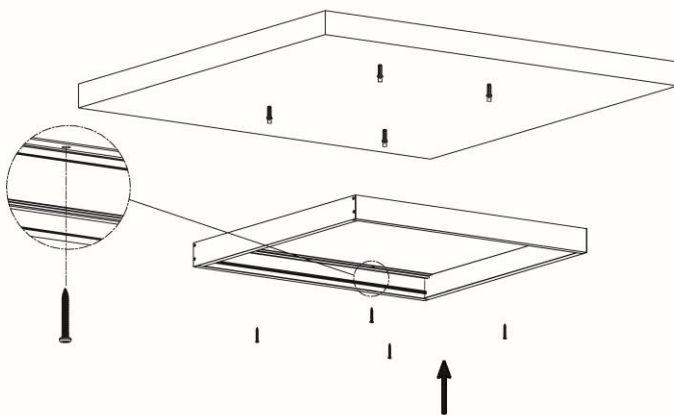
Surface Mount Frame Kits



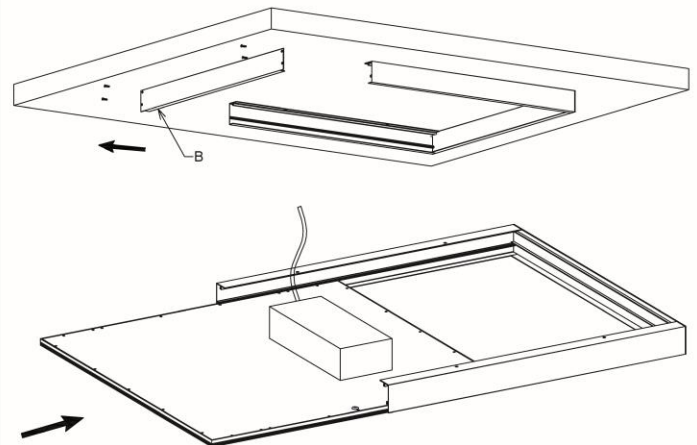
1. Unpack box and take out aluminum profile A - 2pcs, aluminum profile B - 2pcs, as well as accessory pack.



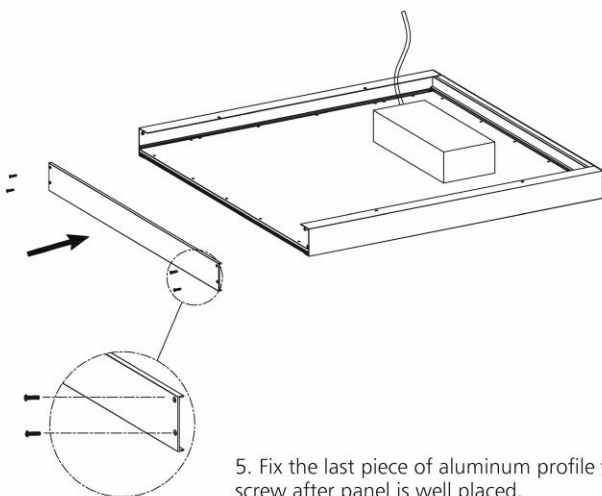
2. Assembling 3 pieces aluminum profile together with screw.



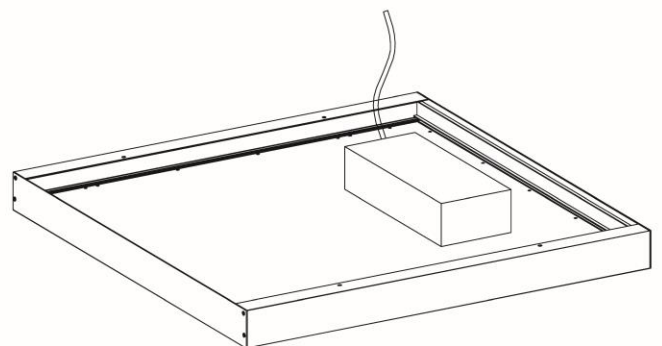
3. Fix semi-finished frame onto ceiling with screw (Concrete ceiling requires plastic anchor)



4. Slide panel into frame properly.



5. Fix the last piece of aluminum profile with screw after panel is well placed.



6. Switch on and check for correct operation

Specifications are subject to change without notice