



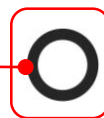
## 7w LED Panel Down Light with Built-in Driver

### Product Features

- 7w
- 3 colours in one: 3000K, 4000K, 5000K (switch select)
- 90° Beam Angle
- Ø85 x 63mm
- 70mm cut-out
- IP54 (front only) protection
- 0.6m Flex cable and plug included
- Weight: 200g



Options:



Black Snap-on Trim

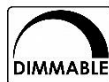
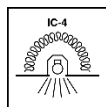


Brushed Chrome Snap-on Trim



**3 Colour Adjustable**

### Specification Overview



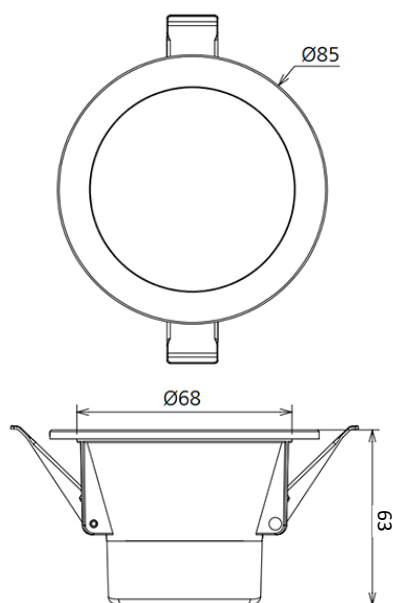
**IP54**  
(front only)

Model	Power	Power Requirement	Colour Temp	Lumens	Beam Angle	Trim Colour	Dimensions
RDL-0770-3C-W	7w	220~240VAC	3000-4000-5000K	560~650lm	90°	White	Ø85 x 63mm

# Product Specification



## 7w LED Panel Down Light with Built-in Driver



Options:



Black Trim  
RDL-70-TBLK



Brushed Chrome Trim  
RDL-70-TBC

### Specification

Model	RDL-0770-3C-W
Colour Temperature	3CCT: 3000K / 4000K / 5000K
Lumen (lm)	560~650lm
Efficiency (lm/w)	>80 lm/w
Light Source	LED
CRI (%)	≥80
Beam Angle	90°
Power Requirement	220~240VAC
Power Consumption	7w
Dimmable	Yes, Triac dimmable
Housing	Plastic coated aluminium
Lifespan	>40,000 hours
Operation Temperature	-20°C~+45°C
Product Dimension	Ø85 x 63mm
Cut-Out	70mm
Weight	200g
Protection Rating	IP54 (front) / IP40 (rear)
Warranty	3 Years

Specifications are subject to change without notice