



## 3w LED Cabinet Lights

### Product Features

- 3w, 12VDC operation
- Available in 4000K Neutral White
- Can be surface mounted or recess mounted
- Low Profile
- 120° Beam Angle
- Ø70 x 13.7mm
- 57mm cut-out
- 1.9m Fig-8 cable and plug included
- Driver sold separately
- Weight: 62g



Options:



CAB-PWR-6  
Drives 1 – 6 lights  
Non-Dimmable



### Specification Overview



N14256

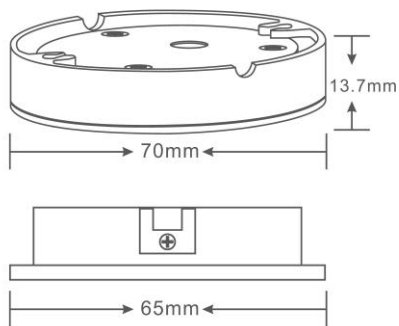
5627

| Model          | Power  | Colour Temp | Lumens | Beam Angle | Trim Colour | Dimensions   |
|----------------|--|-------------|--------|------------|-------------|--------------|
| CAB-0357NN-WHT | 3w   | 4000K       | 200lm  | 120°       | White       | Ø70 x 13.7mm |
| CAB-PWR-6      | Cabinet Light Non-Dimmable Power Supply with 6-way junction box – Drives 1 to 6pcs of S-Tech Cabinet Light |             |        |            |             |              |

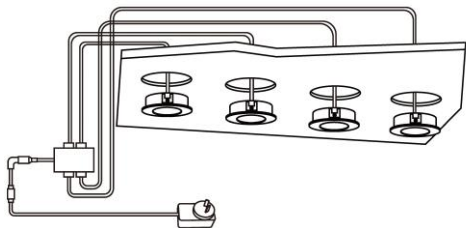
# Product Specification



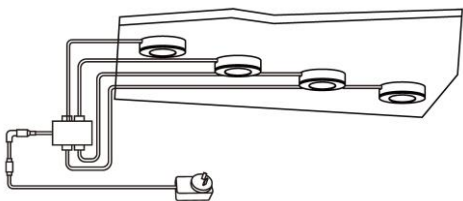
## 3w LED Cabinet Lights



### Recessed Mounting



### Surface Mounting



\* Cabinet lights can be wired in parallel avoiding the requirement of a Junction box. Junction box is supplied with optional CAB-PWR-6 driver and is not sold separately

### Options:



CAB-PWR-6  
Drives 1 – 6 lights  
Non-Dimmable

### Specification

|                           |                          |
|---------------------------|--------------------------|
| Model                     | CAB-0357NN-WHT           |
| Colour Temperature (1CCT) | 4000K                    |
| Lumen (lm)                | 200lm                    |
| Efficiency (lm/w)         | >66 lm/w                 |
| Light Source              | LED                      |
| CRI (%)                   | ≥80                      |
| Beam Angle                | 120°                     |
| Power Requirement         | 12VDC, constant voltage* |
| Power Consumption         | 3w                       |
| Dimmable                  | No                       |
| Housing                   | Aluminium                |
| Trim Colour               | White                    |
| Lifespan                  | >50,000 hours            |
| Operation Temperature     | -20°C~+45°C              |
| Product Dimension         | Ø70 x 13.7mm             |
| Cut-Out                   | 57mm                     |
| Weight                    | 86g                      |
| Protection Rating         | IP20                     |
| Warranty                  | 3 Years                  |

Specifications are subject to change without notice