



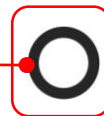
10w LED Pantry Down Light with Motion Sensor

Product Features

- 10w
- 3 colours in one: 3000K, 4000K, 5000K (switch select)
- PIR Sensor
- Works in any light conditions
- Ø115 x 73mm
- 90mm cut-out
- 0.6m Flex cable and plug included
- Weight: 200g



Options:



Black Snap-on Trim



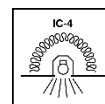
Brushed Chrome Snap-on Trim



3 Colour Adjustable



Specification Overview

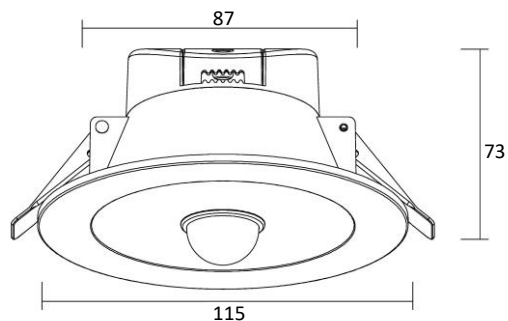


Model	Power	Power Requirement	Colour Temp	Lumens	Beam Angle	Trim Colour	Dimensions
RDL-1090-PS	10w	220~240VAC	3000-4000-5000K	760~880lm	100°	White	Ø115 x 73mm

Product Specification



10w LED Pantry Down Light with Motion Sensor



Sensor Specification

Sensor Distance	≥ 5m / 25° (front)
Light On Time	30 Sec (±5S)
Light Sensor ON/OFF	N/A

Options:



Black Trim
RDL-TRIM-BLK



Brushed Chrome Trim
RDL-TRIM

Specification

Model	RDL-1090-PS
Colour Temperature	3CCT: 3000K / 4000K / 5000K
Lumen (lm)	760~880lm
Efficiency (lm/w)	>76 lm/w
Light Source	LED
CRI (%)	≥80
Beam Angle	100°
Power Requirement	220~240VAC
Power Consumption	10w
Dimmable	No
Housing	Plastic coated aluminium
Lifespan	>40,000 hours
Operation Temperature	-20°C~+45°C
Product Dimension	Ø115 x 73mm
Cut-Out	90mm
Weight	200g
Protection Rating	IP40
Warranty	3 Years

Specifications are subject to change without notice