



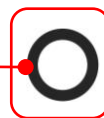
10w LED Panel Down Light with Built-in Driver

Product Features

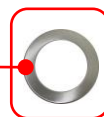
- 10w
- 3 colours in one: 3000K, 4000K, 5000K (switch select)
- 100° Beam Angle
- Ø115 x 58mm
- 90mm cut-out
- IP54 (front only) protection
- 0.6m Flex cable and plug included
- Weight: 250g



Options:



Black Snap-on Trim

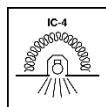


Brushed Chrome Snap-on Trim



3 Colour Adjustable

Specification Overview



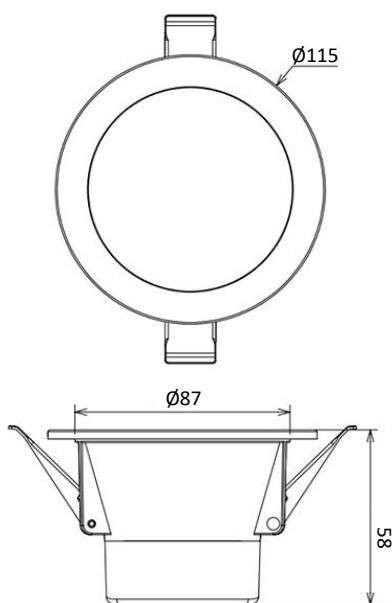
IP54
(front only)

Model	Power	Power Requirement	Colour Temp	Lumens	Beam Angle	Trim Colour	Dimensions
RDL-1090-3C-W	10w	220~240VAC	3000-4000-5000K	971~1139lm	100°	White	Ø115 x 58mm

Product Specification



10w LED Panel Down Light with Built-in Driver



Options:



Black Trim
RDL-TRIM-BLK



Brushed Chrome Trim
RDL-TRIM

Specification

Model	RDL-1090-3C-W		
Colour Temperature (3CCT)	3000K	4000K	5000K
Lumen (lm)	971	1139	1082
Efficiency (lm/w)	>95 lm/w		
Light Source	LED		
CRI (%)	≥80		
Beam Angle	100°		
Power Requirement	220~240VAC		
Power Consumption	10w		
Dimmable	Yes, Triac dimmable		
Housing	Plastic coated aluminium		
Lifespan	>40,000 hours		
Operation Temperature	-20°C~+45°C		
Product Dimension	Ø115 x 58mm		
Cut-Out	90mm		
Weight	250g		
Protection Rating	IP54 (front) / IP40 (rear)		
Warranty	3 Years		

Specifications are subject to change without notice