



50w V19E Slimline LED Flood Light

Product Features

- 50w
- Quality Driver
- Full range power input 90~305VAC
- Aluminium die cast housing
- Tempered glass face
- 120° Beam Angle
- 337 x 269 x 52mm
- IP66 Housing
- Weight: 3.5kg



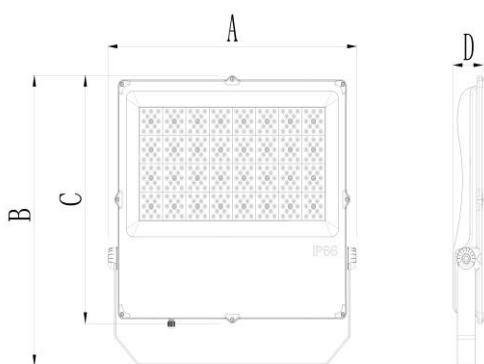
Specification Overview

Model	Power	Power Requirement	Colour Temp	Lumens	Beam Angle	Trim Colour	Dimensions
FLA-SC050W-V19E	50w	90~305VAC	5000K	6877 lm	120°	Black	337x269x52mm

Product Specification

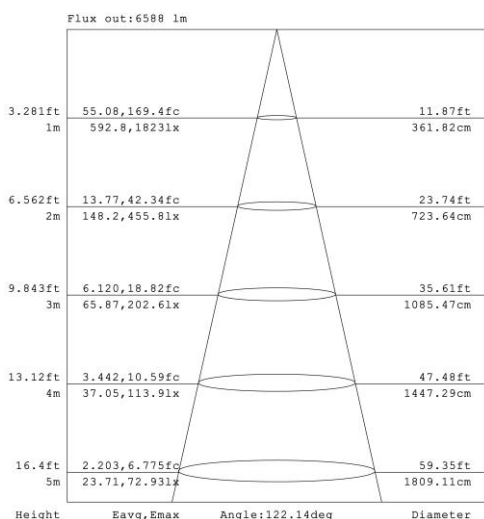


50w V19E Slimline LED Flood Light



Specification

Model	FLA-SC050W-V19E
Colour Temperature (1CCT)	5000K
Lumen (lm)	6877lm
Efficiency (lm/w)	>131lm/w
Light Source	LED
CRI (%)	≥80
Beam Angle	120°
Power Requirement	90~305VAC
Power Consumption	52.2w
Dimmable	No
Housing	Diecast aluminium with toughened glass lens
Lifespan	>50,000 hours
Operation Temperature	-20°C~+60°C
Product Dimension	337 x 269 x 52mm
Impact Rating	IK08
Weight	3.5kg
Protection Rating	IP66
Warranty	5 Years



Specifications are subject to change without notice