



## 20w LED Bunker Light - Emergency

### Product Features

- Maintained Emergency Fitting
- 20w
- 3 colours in one: 3000K, 4000K, 5000K (switch select)
- 120° Beam Angle
- Aluminium die cast housing
- Polycarbonate face
- Available in Black or White housing
- Ø275 x 80mm
- IP65 Housing
- IK10 Impact Rating
- Weight: 1.6kg



**3 Colour Adjustable**



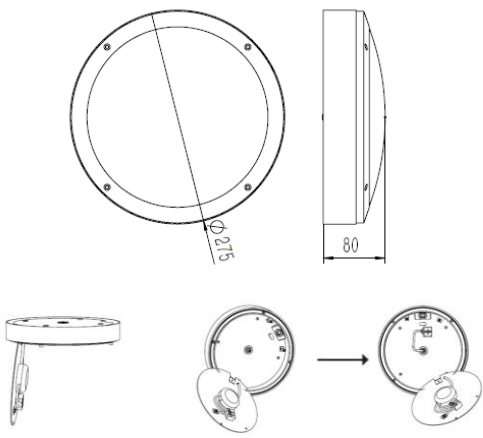
### Specification Overview

Model	Power	Power Requirement	Colour Temp	Lumens	Beam Angle	Trim Colour	Dimensions
WL-BH20-3C-B-E	20w	220~240VAC	3000K/4000K/5000K	1500~1900lm	120°	Black	Ø275 x 80
WL-BH20-3C-W-E	20w	220~240VAC	3000K/4000K/5000K	1500~1900lm	120°	White	Ø275 x 80

# Product Specification

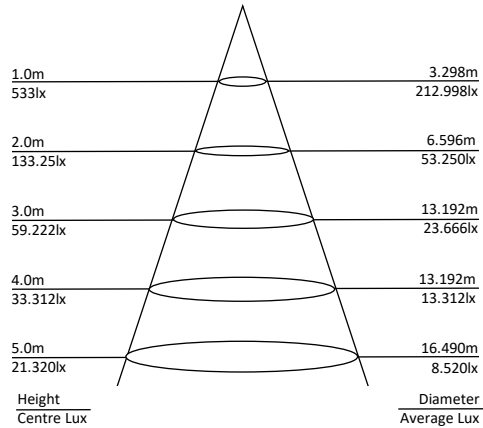


## 20w LED Bunker Light - Emergency



### Specification

Model	WL-BH20-3C-B-E	WL-BH20-3C-W-E	
Trim Colour	Black	White	
Colour Temperature (3CCT)	3000K	4000K	5000K
Lumen (lm)	1513lm	1879lm	1896lm
Efficiency (lm/w)	>73lm/w	>98lm/w	>91lm/w
Light Source	LED		
CRI (%)	≥80		
Beam Angle	120°		
Power Requirement	220~240VAC		
Power Consumption	20.6w	19.1w	20.8w
Emergency Power	2w		
Emergency Run-Time	180 minutes		
Battery	LifePO4 6.4v 1500mAH		
Dimmable	No		
Housing	Diecast aluminium with PC diffuser		
Lifespan	>40,000 hours		
Operation Temperature	-20°C~+45°C		
Product Dimension	Ø275 x 80mm		
Impact Rating	IK10		
Weight	1.6kg		
Protection Rating	IP65		
Warranty	5 Years		



Specifications are subject to change without notice